

# Support structures

Sets for the mechanical support  
of pass-through installations in fire insulation



With pendulum



With bracket

In accordance with the proofs of suitability, most fire insulation requires mechanical support of the passed-through installations made of non-combustible material. This is intended to prevent a negative impact on the insulation in the event of fire.

With the support structures with pendulum and bracket, OBO can offer two sets to create the required mechanical support. The arrangement of the structure 200 mm in front of and behind the wall penetration corresponds to the standard approved spacings.

[www.obo-bettermann.com](http://www.obo-bettermann.com)

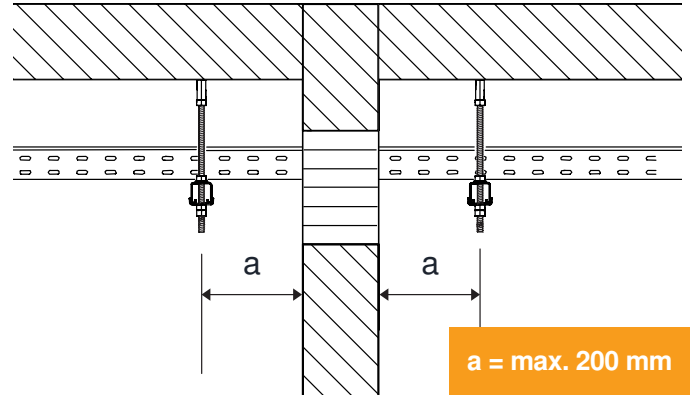
Building Connections

**OBO**  
BETTERMANN

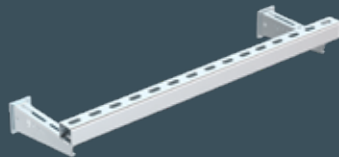
# Support structures

## Pendulum and bracket as mechanical support

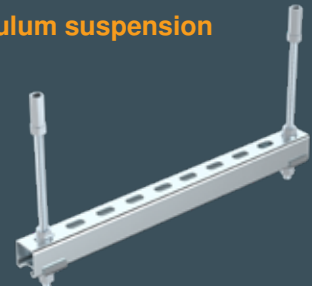
- Fulfills the requirements of most insulation approvals
- Suitable for installations of up to 400 mm width
- Includes all mounting components, such as profile rails, brackets or threaded rods, screws and anchors
- Multilayer wall mounting possible with brackets or two-layer ceiling mounting with pendulum
- Required on both sides of the insulation
- Maximum distance to the insulation surface ( $a = 200$  mm) corresponds to the current, approved distances according to the proofs of suitability or approval of the fire insulation



Support structure, **brackets**  
Type SKA 05 VZ  
Item no. 7202436



Support structure **Pendulum suspension**  
Type SKP 05 VZ  
Item no. 7202446



The sets contain all the components for support on one side of the insulation. Two sets are required for complete support.