

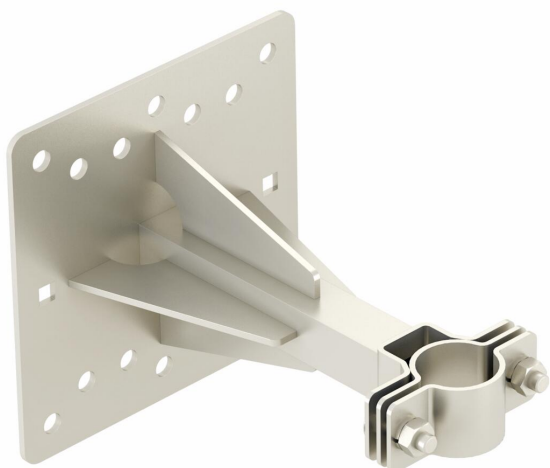
Technical data sheet

isFang support for wall mounting, 200 mm spacing

Item number: 5408910



Fastening clip to fasten the insulated support pipes on the structure to be protected or on the wall.



A2 Stainless steel

Master data

Item number	5408910
Type	isFang TW200 12
Description 1	isFang support
Description 2	for wall mounting
Manufacturer	OBO
Dimension	200x200mm
Material	Stainless steel
Smallest sales unit	2
Unit of quantity	Piece
Weight	240 kg
Weight unit	kg/100 pc.

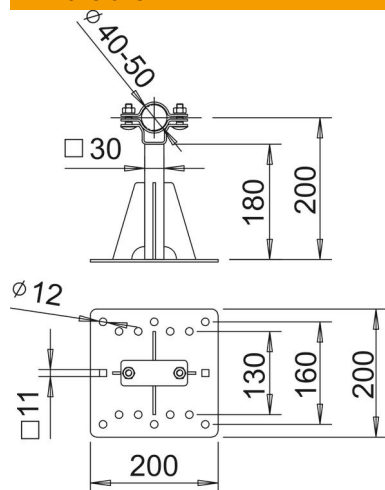
Technical data sheet

isFang support for wall mounting, 200 mm spacing

Item number: 5408910



Dimensions



Dimension d min.	50 mm
Dimension L	200 mm

Technical data

Holder fastening type	Drill hole
Rod fastening type	With screw clip
Material of the base	Stainless steel, rustproof 1.4301