

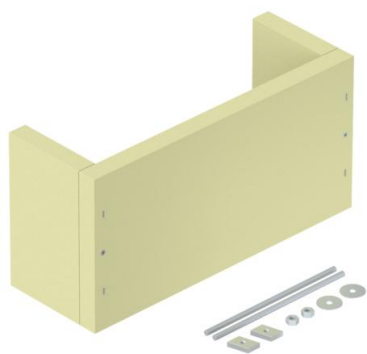
Technical data sheet

Strain relief on three sides, empty housing, internal height 115 mm

Item number: 7215762



Strain relief as an effective support measure for vertical cable routing, according to DIN 4102 Part 12. Approved for all cable types and all vertical routing systems, which are mounted directly on solid walls. Maintenance of electrical function classes E30 to E90. Empty housing for individual filling with the PYROSIT® NG fire protection foam and/or PYROPLUG® Block insulation systems, incl. mounting set and labelling panel.



Calcium silicate

Master data

| | |
|---------------------|----------------------------|
| Item number | 7215762 |
| Type | ZSE90-35-11 L |
| Description 1 | Strain relief |
| Description 2 | for vertical cable routing |
| Manufacturer | OBO |
| Dimension | 400x140x200 |
| Material | Calcium silicate |
| Smallest sales unit | 1 |
| Unit of quantity | Piece |
| Weight | 390 kg |
| Weight unit | kg/100 pc. |

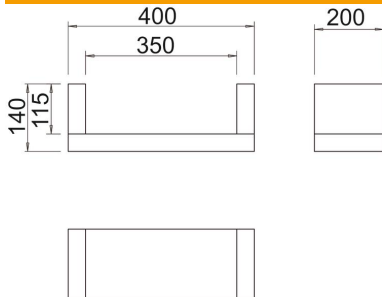
Technical data sheet

Strain relief on three sides, empty housing, internal height
115 mm

Item number: 7215762



Dimensions



| | |
|-------------|--------|
| Length | 200 mm |
| Width | 400 mm |
| Height | 140 mm |
| Dimension B | 400 mm |
| Dimension b | 350 mm |
| Dimension H | 200 mm |
| Dimension t | 140 mm |
| Dimension t | 115 mm |

Technical data

| | |
|----------------------|-------------|
| Shape | Rectangular |
| Accessories required | no |