

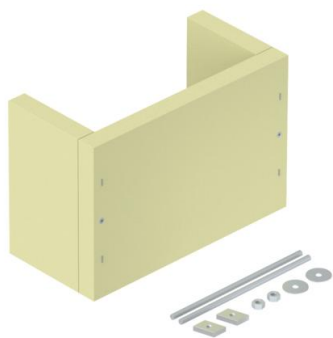
Technical data sheet

Strain relief on three sides, empty housing, internal height
115 mm

Item number: 7215760



Strain relief as an effective support measure for vertical cable routing, according to DIN 4102 Part 12. Approved for all cable types and all vertical routing systems, which are mounted directly on solid walls. Maintenance of electrical function classes E30 to E90. Empty housing for individual filling with the PYROSIT® NG fire protection foam and/or PYROPLUG® Block insulation systems, incl. mounting set and labelling panel.



Calcium silicate

Master data

Item number	7215760
Type	ZSE90-25-11 L
Description 1	Strain relief
Description 2	for vertical cable routing
Manufacturer	OBO
Dimension	300x140x200
Material	Calcium silicate
Smallest sales unit	1
Unit of quantity	Piece
Weight	320 kg
Weight unit	kg/100 pc.

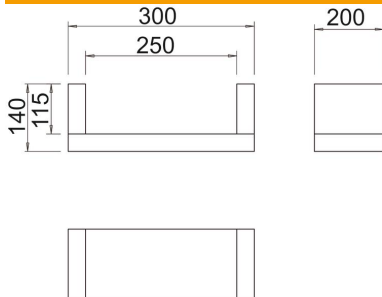
Technical data sheet

Strain relief on three sides, empty housing, internal height
115 mm

Item number: 7215760



Dimensions



Length	200 mm
Width	300 mm
Height	140 mm
Dimension B	300 mm
Dimension b	250 mm
Dimension H	200 mm
Dimension t	140 mm
Dimension t	115 mm

Technical data

Shape	Rectangular
Accessories required	no