

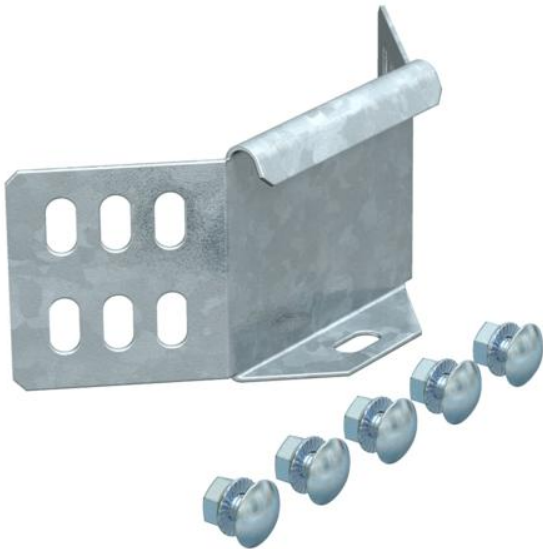
# Technical data sheet

## Angle connector 60 FS

Item number: 6043062



Angle connector for cable trays with a side height of 60 mm.  
Including appropriate fastening material.



**St** Steel

**FS** Strip galvanized

### Master data

Item number	6043062
Type	WKV 60 FS
Description 1	Angle connector
Description 2	for cable tray
Manufacturer	OBO
Material	Steel
Surface	Strip galvanized
Surface standard	DIN EN 10346
Smallest sales unit	5
Unit of quantity	Piece
Weight	14.7 kg
Weight unit	kg/100 pc.

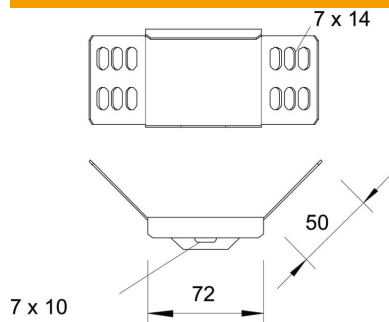
# Technical data sheet

## Angle connector 60 FS

Item number: 6043062



### Dimensions



Length	72 mm
Width	50 mm
Height	62 mm
Height	2 in
Plate thickness	1.25 mm

### Technical data

Version for	Angle connector
Maintain electrical functions	no
Suitable for mesh cable tray	no
Suitable for cable ladder	no
Suitable for cable tray	yes
Suitable for cable tray system height	60 mm
Adjustable connector, horizontal	no
Articulated connector, vertical	no
Rustproof steel, pickled	no
Connection type	Screw connector