

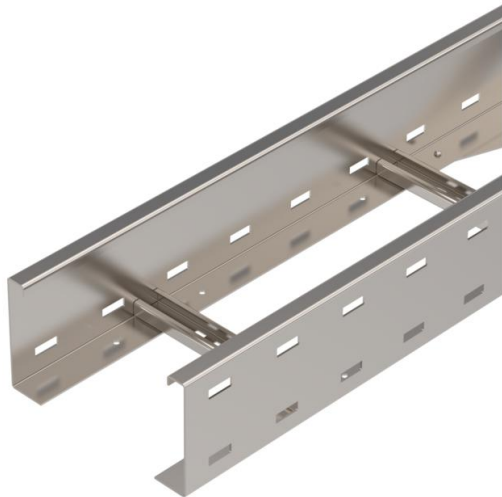
# Technical data sheet

## Wide span cable ladder WKLG 110 A2

Item number: 6311202



Wide span cable ladder with perforated side rails of side height of 110 mm. Fastening of cables with clamp clip, type 2056.



Straight connectors of type WRVL 110 should be ordered separately and in the appropriate quantity.  
Magnetic shield insulation without cover 10 dB, with cover 15 dB.



**A2** Stainless steel

**2B** Bright, treated

### Master data

|                     |                        |
|---------------------|------------------------|
| Item number         | 6311202                |
| Type                | WKLG 1120 A2           |
| Description 1       | Wide span cable ladder |
| Description 2       | perforated side rail   |
| Manufacturer        | OBO                    |
| Dimension           | 110x200x6000           |
| Material            | Stainless steel        |
| Surface             | Bright, treated        |
| Surface standard    |                        |
| Smallest sales unit | 6                      |
| Unit of quantity    | Metre                  |
| Weight              | 560.4 kg               |
| Weight unit         | kg/100 m               |

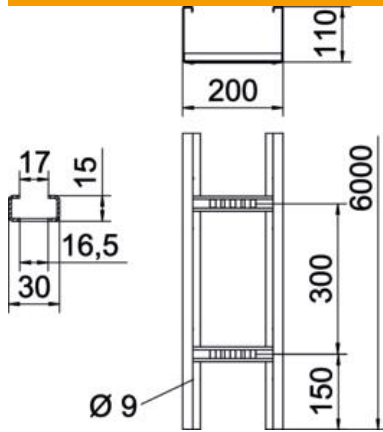
# Technical data sheet

## Wide span cable ladder WKLG 110 A2

Item number: 6311202



### Dimensions



|                     |          |
|---------------------|----------|
| Dimension           | 110x200  |
| Length              | 6,000 mm |
| Length              | 6,000 ft |
| Width               | 200 mm   |
| Height              | 110 mm   |
| Dimension B         | 200 mm   |
| Dimension L         | 6,000 mm |
| Rung slot dimension | 17.00    |

### Technical data

|                               |                       |
|-------------------------------|-----------------------|
| Version of the rungs          | Profile unperforated  |
| Side rail version             | Profile (open)        |
| Maintain electrical functions | no                    |
| Usable cross-section          | 186 cm <sup>2</sup>   |
| Usable cross-section          | 18600 mm <sup>2</sup> |
| Rustproof steel, pickled      | no                    |
| Side perforation              | yes                   |
| Wide-span version             | yes                   |
| Rail thickness                | 2 mm                  |

# Technical data sheet

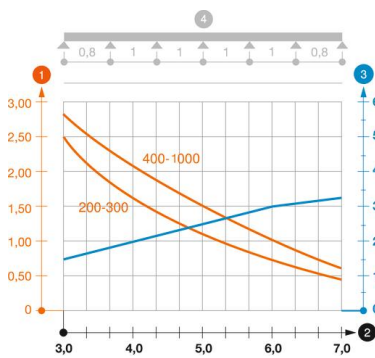
## Wide span cable ladder WKLG 110 A2

Item number: 6311202



### Loads

|                                   |           |
|-----------------------------------|-----------|
| Insertable support spacings, min. | 3 m       |
| Insertable support spacings, max. | 7 m       |
| Support spacing 3.0 m             | 2.3 kN/m  |
| Support spacing 3.5 m             | 1.9 kN/m  |
| Support spacing 4.0 m             | 1.6 kN/m  |
| Support spacing 4.5 m             | 1.33 kN/m |
| Support spacing 5.0 m             | 1.1 kN/m  |
| Support spacing 6.0 m             | 0.8 kN/m  |
| Support spacing 7.0 m             | 0.4 kN/m  |



Load diagram, wide span cable ladder, type WKLG 110

- 1 Permitted cable tray/ladder load in kN/m without man load
- 2 Support width in m
- 3 Rail bend in mm at permitted kN/m
- 4 Load scheme during testing
- Load curve with cable tray/ladder width in mm
- Strut bend curve according to support width