

Technical data sheet

Cover frame, double, for protective equipment installation

Item number: 6109932



Construction set, protection unit installation consisting of cover with mounting support and transparent cover hood. Allows the installation of protective equipment (two units) such as miniature circuit-breakers or FI protection switches in the Modalnet housing.



PC Polycarbonate

Master data

Item number	6109932
Type	WG-AF2TE RW
Description 1	Cover frame
Description 2	Modal net, autom.unit install.
Manufacturer	OBO
Colour	Pure white; RAL 9010
Material	Polycarbonate
Smallest sales unit	1
Unit of quantity	Piece
Weight	7.5 kg
Weight unit	kg/100 pc.

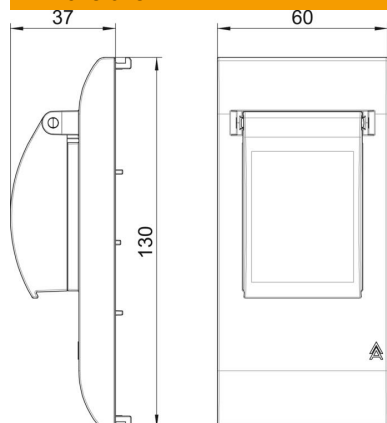
Technical data sheet

Cover frame, double, for protective equipment installation

Item number: 6109932



Dimensions



Width	60 mm
Height	130 mm

Technical data

Number of units	2
Number of units, horizontal	0
Anzahl der Einheiten vertikal	2
Surface version	Matt
Fastening type	Lock
Flush-mounted version	no
Suitable for built-in installations	no
Suitable for device installation ducts	no
Suitable for underfloor duct socket	no
Suitable for flush-mounted installations	no
Halogen-free	no
Hinged cover	yes
Mounting direction	Vertical
Text field/inscription field	no
Depth	37 mm
Transparent	yes
With mounting frame	no
Diameter opening	0