

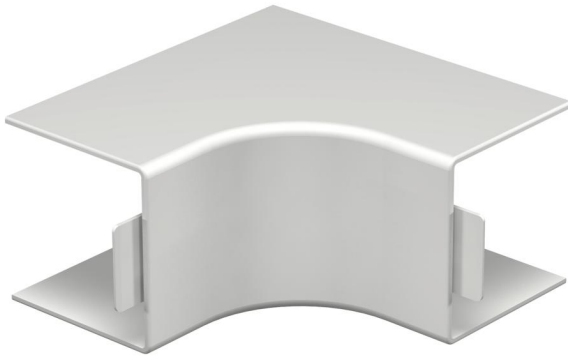
Technical data sheet

Internal corner cover, trunking type WDK 60060

Item number: 6192017



Internal corner cover for changing the direction of the WDK trunking.

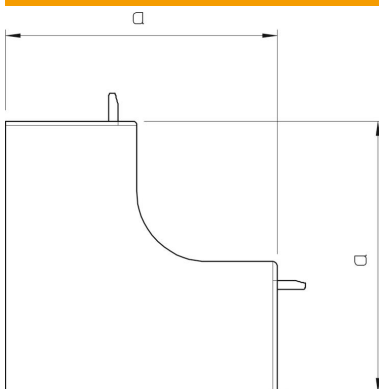


PVC Polyvinylchloride

Master data

Item number	6192017
Type	WDK HI60060RW
Description 1	Internal corner cover
Manufacturer	OBO
Dimension	60x60mm
Colour	Pure white; RAL 9010
Material	Polyvinylchloride
Smallest sales unit	2
Unit of quantity	Piece
Weight	10.932 kg
Weight unit	kg/100 pc.

Dimensions



Length	130 mm
Width	60 mm
Height	60 mm
Dimension a	130 mm

Technical data sheet

Internal corner cover, trunking type WDK 60060

Item number: 6192017



Technical data

Version for	Hood fitting
Fastening type	Lockable
Maintain electrical functions	no
Halogen-free	no
Protection rating	IP30
Protective film	no
Protection rating IK code	IK04
Permitted temperature range, max.	60 °C
Permitted temperature range, min.	-5 °C
Angle range, max.	90 mm
Angle range, min.	90 mm