

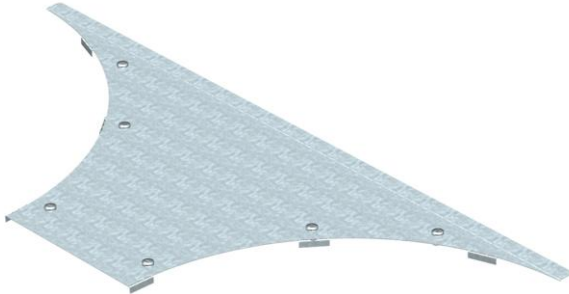
Technical data sheet

Cover for add-on tee FS

Item number: 6231912



Cover for wide span add-on tee with pre-mounted turn buckles.



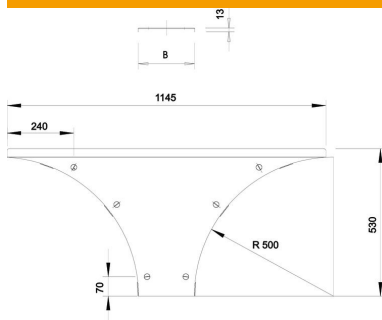
St Steel

FS Strip galvanized

Master data

| | |
|---------------------|------------------------------|
| Item number | 6231912 |
| Type | WAAD 500 FS |
| Description 1 | Cover, add-on tee |
| Description 2 | wide span system 110 and 160 |
| Manufacturer | OBO |
| Dimension | B500mm |
| Material | Steel |
| Surface | Strip galvanized |
| Surface standard | DIN EN 10346 |
| Smallest sales unit | 1 |
| Unit of quantity | Piece |
| Weight | 489.6 kg |
| Weight unit | kg/100 pc. |

Dimensions



| | |
|-----------------|--------|
| Width | 500 mm |
| Height | 110 mm |
| Plate thickness | 1.5 mm |
| Dimension B | 500 mm |
| Dimension H | 15 mm |
| Dimension R | 500 mm |

Technical data sheet

Cover for add-on tee FS

Item number: 6231912



Technical data

| | |
|---------------------------|-----------|
| Number of turn buckles | 6 St. |
| Fastening type | Sash lock |
| Suitable for cable ladder | yes |
| Suitable for cable tray | yes |
| Material thickness | 1.5 mm |
| Rustproof steel, pickled | no |
| Wide-span version | yes |