

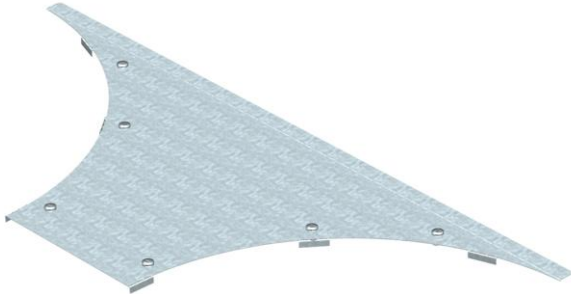
Technical data sheet

Cover for add-on tee FS

Item number: 6231904



Cover for wide span add-on tee with pre-mounted turn buckles.



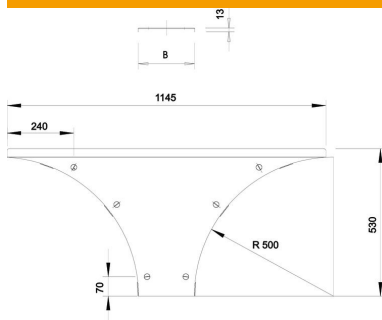
St Steel

FS Strip galvanized

Master data

Item number	6231904
Type	WAAD 300 FS
Description 1	Cover, add-on tee
Description 2	wide span system 110 and 160
Manufacturer	OBO
Dimension	B300mm
Material	Steel
Surface	Strip galvanized
Surface standard	DIN EN 10346
Smallest sales unit	1
Unit of quantity	Piece
Weight	247.3 kg
Weight unit	kg/100 pc.

Dimensions



Width	300 mm
Height	110 mm
Plate thickness	1.5 mm
Dimension B	300 mm
Dimension H	15 mm
Dimension R	500 mm

Technical data sheet

Cover for add-on tee FS

Item number: 6231904



Technical data

Number of turn buckles	6 St.
Fastening type	Sash lock
Suitable for cable ladder	yes
Suitable for cable tray	yes
Material thickness	1.5 mm
Rustproof steel, pickled	no
Wide-span version	yes