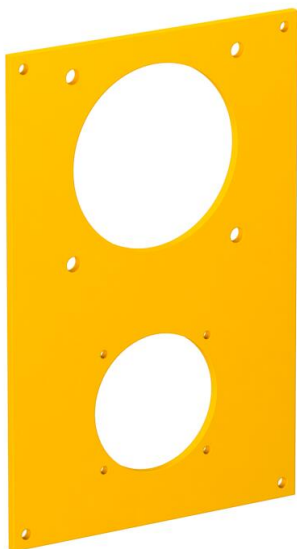


Technical data sheet

Cover plate VHF, for 1x surface-mounted socket, type ASD
and 1x CEE connection unit

Item number: 6109858



Cover plate with a Ø 45 mm opening for the installation of one extension socket (type ASD-...) with 38 mm fastening track and a Ø 60 mm opening for the installation of one CEE socket 16/32 A with 60 mm fastening track, including 8 screws for fastening the device.



PVC Polyvinylchloride

Master data

Item number	6109858
Type	VHF-P13
Description 1	Cover plate
Description 2	CEE+surface-mnt'd.socket 38x38
Manufacturer	OBO
Dimension	166x105mm
Colour	Rape yellow; RAL 1021
Material	Polyvinylchloride
Smallest sales unit	1
Unit of quantity	Piece
Weight	7.4 kg
Weight unit	kg/100 pc.

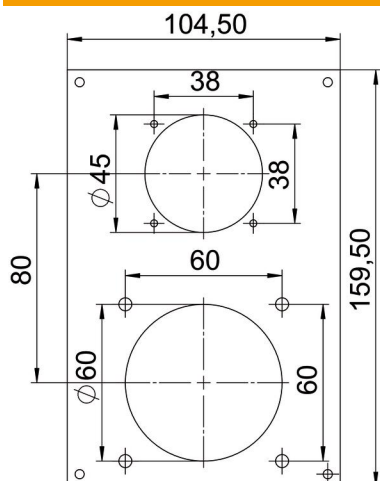
Technical data sheet

Cover plate VHF, for 1x surface-mounted socket, type ASD
and 1x CEE connection unit

Item number: 6109858



Dimensions



Length	159.5 mm
Width	104.5 mm
Height	3 mm

Technical data

Number of units	2
Opening shape	Round
Fastening type	Screw-on
Blanking lid	no
Halogen-free	no
Installation technology	Miscellaneous
Protection rating	IP20