

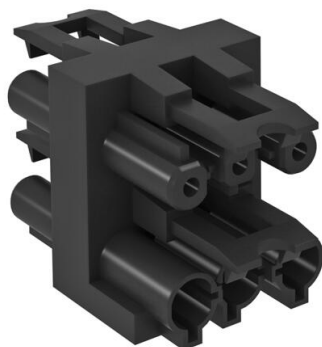
Technical data sheet

Distributor block 3-pin, 1 input / 3 outputs

Item number: 6108080



Distributor block with lock, type GST18i, one input with plug section 3-pin and three outputs with socket section 3-pin.



Master data

Item number	6108080
Type	VB-3 GST18i3p
Description 1	Distribution block, 3-pole
Description 2	1 input / 3 outputs 3-pole
Manufacturer	OBO
Colour	Black
Smallest sales unit	1
Unit of quantity	Piece
Weight	3.59 kg
Weight unit	kg/100 pc.