

# Technical data sheet

Cap nut cable gland, metric thread, silver grey, nickel-plated

Item number: 2086036



With metric connecting thread to IEC 423, robust cap-nut cable gland with large sealing area. Strain relief, wringing protection and tightness over the whole clamping area. Neoprene sealing ring. Polyamide terminal insert. With pre-mounted O sealing ring on connection thread, VDE-tested to DIN EN 50262, protection rating IP68 at 5 bar for 1 hr, max. permitted ambient temperature -20 to +100°C.

\* Prices according to DEL notation.



**CuZn**  
37 Brass

**N** Nickel-plated

## Master data

Item number	2086036
Type	V-TEC VM25 MS
Description 1	Cable gland
Manufacturer	OBO
Dimension	M25
Material	Brass
Surface	Nickel-plated
Surface standard	
Smallest sales unit	25
Unit of quantity	Piece
Weight	4.26 kg
Weight unit	kg/100 pc.

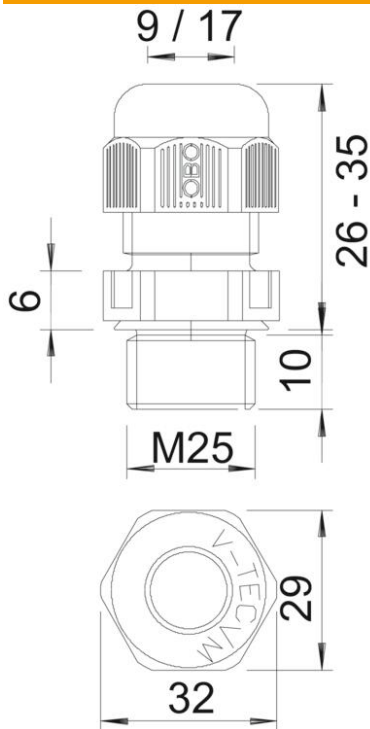
# Technical data sheet

Cap nut cable gland, metric thread, silver grey, nickel-plated

Item number: 2086036



## Dimensions



Dimension E	30 mm
Dimension L max.	29.5 mm
Dimension L1	7 mm
Dimension L2	4 mm
Dimension L3	17 mm

## Technical data

Type of seal	Sealing ring
Version for	Straight
Bend protection	no
Sealing area D, max.	16 mm
Sealing area D, min.	11 mm
explosion-proof	no
Flat cable gland	no
For Ex zone	Without
Thread	M25 x 1,5
Thread type	Metric
Thread length	7 mm
Fibre-glass reinforced	no
Halogen-free	no
Unstable torque	6.7 Nm
Impact category	6
Strain relief category	A
Sealing insert, multiple	no
With locknut	no
Impact-resistant	no
WAF	27
Protection rating	IP68
Hexagonal corner dimension	30 mm

# Technical data sheet

Cap nut cable gland, metric thread, silver grey, nickel-plated

Item number: 2086036



## Technical data

Permitted temperature range, max.	100 °C
Permitted temperature range, min.	-20 °C
Strain relief option	yes