

Technical data sheet

Cable gland, PG thread, set with locknut, light grey

Item number: 2024671



Cable gland with PG connection thread in cap nut design, suitable for junction boxes, housings, distributor boxes in private and industrial areas. With strain relief and integrated sealing lip, tested according to DIN EN 62444. Protection class IP68. Can be used between -20°C and $+65^{\circ}\text{C}$. Including locknut.
Table column D1: sealing range to VDE 0619, in which no strain relief is required.
Table column D2: Sealing range including strain relief and twist protection to VDE 0619



PA Polyamide

Master data

| | |
|---------------------|----------------------|
| Item number | 2024671 |
| Type | V-TEC PG42+ LGR |
| Description 1 | Cable gland |
| Description 2 | with locknut |
| Manufacturer | OBO |
| Dimension | PG42 |
| Colour | Light grey; RAL 7035 |
| Material | Polyamide |
| Smallest sales unit | 5 |
| Unit of quantity | Piece |
| Weight | 9.406 kg |
| Weight unit | kg/100 pc. |

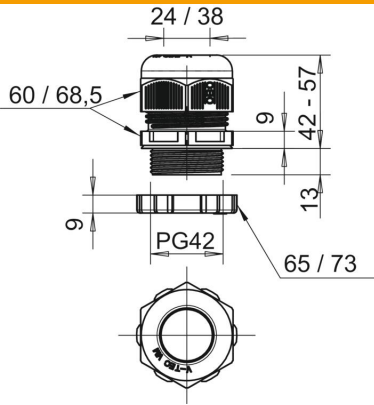
Technical data sheet

Cable gland, PG thread, set with locknut, light grey



Item number: 2024671

Dimensions



| | |
|-------------------|---------|
| Dimension E1 (mm) | 68.5 mm |
| Dimension E2 | 73 mm |
| Dimension L max. | 57 mm |
| Dimension L min. | 42 mm |
| Dimension L1 | 13 mm |
| Dimension L2 | 9 mm |
| Dimension L3 | 6 mm |

Technical data

| | |
|--|--------------|
| Type of seal | Sealing ring |
| Version for | Straight |
| Bend protection | no |
| Sealing area D, max. | 38 mm |
| Sealing area D, min. | 24 mm |
| explosion-proof | no |
| Flat cable gland | no |
| For Ex zone | Without |
| For Ex zone gas | Without |
| For Ex zone dust | Without |
| Thread | Pg 42 |
| Thread type | PG |
| Thread length | 13 mm |
| Nominal thread size | 42 |
| Thread increase | 1.5 mm |
| Fibre-glass reinforced | no |
| Halogen-free | yes |
| Sealing insert, multiple | no |
| With locknut | yes |
| Impact-resistant | no |
| WAF 1 | 60 mm |
| WAF 2 | 65 mm |
| Protection rating | IP68 |
| Hexagonal corner dimension | 68.5 mm |
| Splittable gland | no |
| Permitted temperature range, max. | 65 °C |
| Permitted temperature range, min. | -20 °C |
| Strain relief and wringing protection D2, max. | 38 mm |
| Strain relief and wringing protection D2, min. | 26 mm |
| Strain relief option | yes |