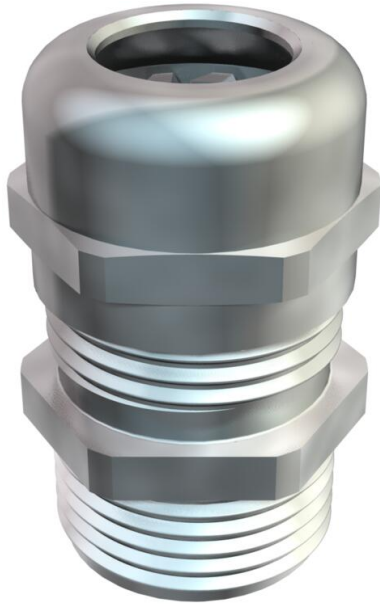


Technical data sheet

Cap nut cable gland, PG thread, long, nickel-plated

Item number: 2085771



Cable gland of cap-nut design with large sealing area, and strain relief and torsion protection for high sealing demands with long Pg connection thread to DIN 40430, for thicker housing wall thicknesses in connection with locknut.

Polyamide terminal insert.

Sealing ring of chloroprene/nitrile rubber.

O ring pre-mounted on connection thread.

Protection rating IP 68 at 5 bar: 1 hr.

Tested to DIN EN 62444.

With long connection thread.

* Prices according to DEL notation.



CuZn
37 Brass

N Nickel-plated

Master data

Item number	2085771
Type	V-TEC L PG21 MS
Description 1	Cable gland
Description 2	with long connection thread
Manufacturer	OBO
Dimension	PG21
Material	Brass
Surface	Nickel-plated
Surface standard	
Smallest sales unit	25
Unit of quantity	Piece
Weight	6.58 kg
Weight unit	kg/100 pc.

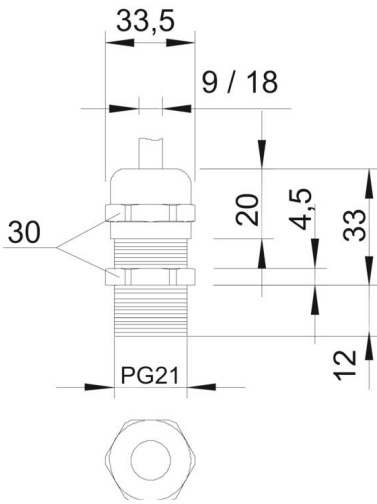
Technical data sheet

Cap nut cable gland, PG thread, long, nickel-plated



Item number: 2085771

Dimensions



Dimension E	33.5 mm
Dimension L max.	33 mm
Dimension L1	12 mm
Dimension L2	4.5 mm
Dimension L3	20 mm

Technical data

Type of seal	Sealing ring
Version for	Straight
Bend protection	no
Sealing area D, max.	18 mm
Sealing area D, min.	14 mm
explosion-proof	no
Flat cable gland	no
For Ex zone	Without
For Ex zone gas	Without
For Ex zone dust	Without
Thread	Pg 21
Thread type	PG
Thread length	12 mm
Nominal thread size	21
Fibre-glass reinforced	no
Halogen-free	no
Sealing insert, multiple	no
With locknut	no
Impact-resistant	no
WAF	30
Protection rating	IP68
Splittable gland	no
Permitted temperature range, max.	100 °C
Permitted temperature range, min.	-20 °C
Strain relief and wringing protection D2, max.	18 mm
Strain relief and wringing protection D2, min.	12 mm
Strain relief option	yes