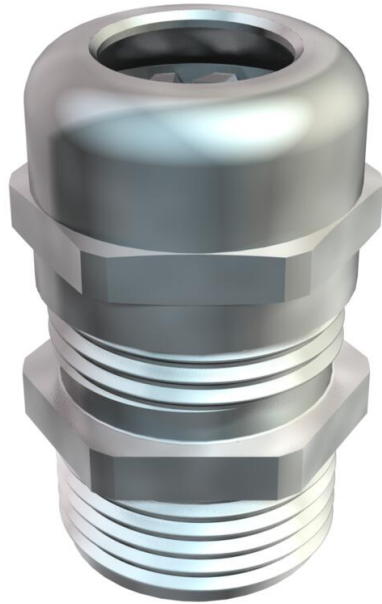


# Technical data sheet

## Cap nut cable gland, PG thread, long, nickel-plated

Item number: 2085747



Cable gland of cap-nut design with large sealing area, and strain relief and torsion protection for high sealing demands with long Pg connection thread to DIN 40430, for thicker housing wall thicknesses in connection with locknut.

Polyamide terminal insert.

Sealing ring of chloroprene/nitrile rubber.

O ring pre-mounted on connection thread.

Protection rating IP 68 at 5 bar: 1 hr.

Tested to DIN EN 62444.

With long connection thread.

\* Prices according to DEL notation.



**CuZn**  
37 Brass

**N** Nickel-plated

### Master data

|                     |                             |
|---------------------|-----------------------------|
| Item number         | 2085747                     |
| Type                | V-TEC L PG11 MS             |
| Description 1       | Cable gland                 |
| Description 2       | with long connection thread |
| Manufacturer        | OBO                         |
| Dimension           | PG11                        |
| Material            | Brass                       |
| Surface             | Nickel-plated               |
| Surface standard    |                             |
| Smallest sales unit | 50                          |
| Unit of quantity    | Piece                       |
| Weight              | 2.55 kg                     |
| Weight unit         | kg/100 pc.                  |

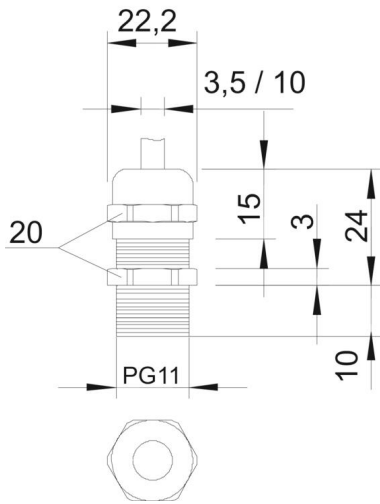
# Technical data sheet

## Cap nut cable gland, PG thread, long, nickel-plated



Item number: 2085747

### Dimensions



|                  |         |
|------------------|---------|
| Dimension E      | 22.2 mm |
| Dimension L max. | 24 mm   |
| Dimension L1     | 10 mm   |
| Dimension L2     | 3 mm    |
| Dimension L3     | 15 mm   |

### Technical data

|  |              |
|--|--------------|
| Type of seal                                   | Sealing ring |
| Version for                                    | Straight     |
| Bend protection                                | no           |
| Sealing area D, max.                           | 10 mm        |
| Sealing area D, min.                           | 5 mm         |
| explosion-proof                                | no           |
| Flat cable gland                               | no           |
| For Ex zone                                    | Without      |
| For Ex zone gas                                | Without      |
| For Ex zone dust                               | Without      |
| Thread   | Pg 11        |
| Thread type                                    | PG           |
| Thread length                                  | 10 mm        |
| Nominal thread size                            | 11           |
| Fibre-glass reinforced                         | no           |
| Halogen-free                                   | no           |
| Sealing insert, multiple                       | no           |
| With locknut                                   | no           |
| Impact-resistant                               | no           |
| WAF  | 20           |
| Protection rating                              | IP68         |
| Splittable gland                               | no           |
| Permitted temperature range, max.              | 100 °C       |
| Permitted temperature range, min.              | -20 °C       |
| Strain relief and wringing protection D2, max. | 10 mm        |
| Strain relief and wringing protection D2, min. | 4.5 mm       |
| Strain relief option                           | yes          |