

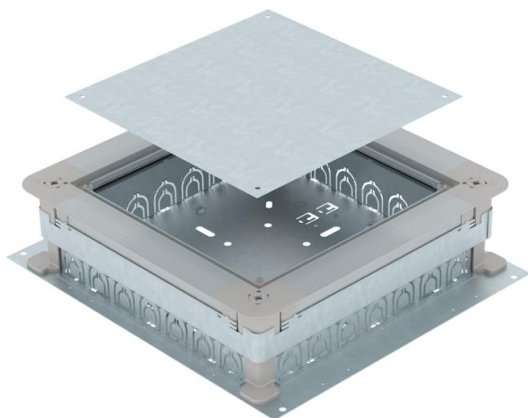
# Technical data sheet

UZD250-3 with pipe entry for screed height 70–125 mm

Item number: 7410031



Underfloor junction and branch box for 7 installation pipes on each side (M20 or M32) with sheet steel side walls. To mount installation units in the mounting lid (to be ordered separately). Height can be infinitely adjusted to the nominal screed height (rapid adjustment possible) and the screed can be worked flush to the screed scraping edge. With noise decoupling option after screed laying and can be used with system accessories, also for heavy-duty application.



**St** Steel

**FS** Strip galvanized

## Master data

Item number	7410031
Description 1	Junction and branch box
Description 2	for screed height 70-125mm
Manufacturer	OBO
Dimension	410x367x70
Material	Steel
Surface	Strip galvanized
Surface standard	DIN EN 10346
Smallest sales unit	1
Unit of quantity	Piece
Weight	436 kg
Weight unit	kg/100 pc.

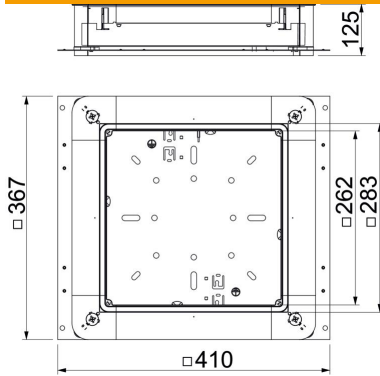
# Technical data sheet

UZD250-3 with pipe entry for screed height 70–125 mm

Item number: 7410031



## Dimensions



Dimension a	262 mm
Dimension A	367 mm
Dimension B	410 mm
Dimension b	283 mm

## Technical data

Floor plate	yes
Lowerable to be flush-floor	no
Cover version	Universal
Seal installation option	yes
Installation opening for on-floor tank	no
Decouplable	yes
Screed height, max.	125 mm
Screed height, min.	70 mm
For pipe connection	yes
Suitable for screed-flush closed underfloor ducts	no
Suitable for screed-covered underfloor ducts	no
Suitable for underfloor ducts	no
Installation space, max.	11.63 dm <sup>3</sup>
Installation space, min.	6.09 dm <sup>3</sup>
Minimum screed height	70
Nominal size	250 mm
Height-adjustment range, max.	125 mm
Height-adjustment range, min.	70 mm