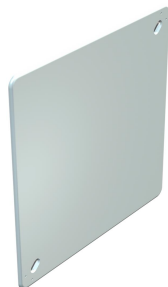


# Technical data sheet

## Box cover

Item number: 2003252



Box cover suitable for the connection sockets, type UV...K, cover edge is flush, surface is roughened, cover bolts can be lowered.



**PS** Polystyrene

### Master data

Item number	2003252
Type	UV 200 D
Description 1	Box lid
Description 2	concealed
Manufacturer	OBO
Dimension	210x210x2
Colour	White
Material	Polystyrene
Smallest sales unit	5
Unit of quantity	Piece
Weight	9.5 kg
Weight unit	kg/100 pc.

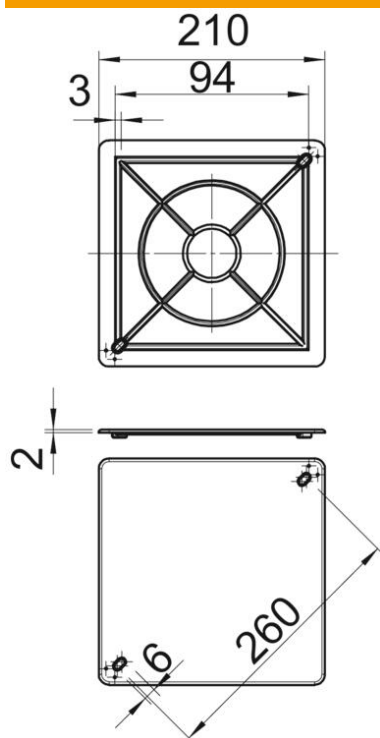
# Technical data sheet

## Box cover

Item number: 2003252



### Dimensions



Length	210 mm
Width	210 mm
Height	2 mm
Dimension A	260 mm
Dimension B	210 mm
Dimension s	2 mm

### Technical data

Fastening type	Screw-on lid
Flame-resistant	acc. to VDE 0471/DIN 695 Part 2-1, test temperature 650°C
Shape	Square
Halogen-free	yes
With bolts	no
Sealable	yes