

Technical data sheet

US 5 support A2

Item number: 6341374



Suspended support (U profile) with welded head plate.
For fastening to horizontal concrete ceilings and steel girders. For bracket widths of 400 mm or more, or if the bracket is mounted at the end of a suspended support, we recommend the use of the spacer, type DSK 45.



A2 Stainless steel

2B Bright, treated

Master data

| | |
|---------------------|------------------------|
| Item number | 6341374 |
| Type | US 5 K 60 A2 |
| Description 1 | Support |
| Description 2 | with welded head plate |
| Manufacturer | OBO |
| Dimension | 50x50x600 |
| Material | Stainless steel |
| Surface | Bright, treated |
| Surface standard | |
| Smallest sales unit | 1 |
| Unit of quantity | Piece |
| Weight | 200 kg |
| Weight unit | kg/100 pc. |

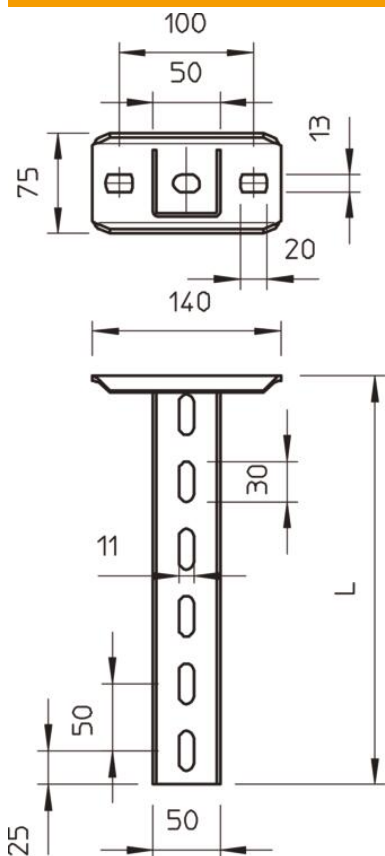
Technical data sheet

US 5 support A2

Item number: 6341374

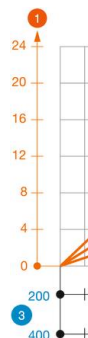


Dimensions



| | |
|--------|--------|
| Length | 600 mm |
| Width | 50 mm |
| Height | 50 mm |

Loads



Chara

Max. total
= 10 cm
of ETA(a)

Technical data

| | |
|-------------------------------|-----------|
| Version for | U profile |
| Bracket length 200 | 5.75 kN |
| Bracket length 400 | 3.1 kN |
| Bracket length 600 | 2.2 kN |
| Maintain electrical functions | no |
| Material thickness | 2.5 mm |
| Maximum tensile load | 10 kN |