

Technical data sheet

Junction box T 40, plug-in seal

Item number: 2007045



Junction box for the connection of cables indoors and in protected outdoor areas. Square design with plug-in seals to the sides and knock-out entries in the bottom. Suitable for wall and ceiling mounting and on mounting panels. With the option to fasten inside. With fixed clamping cover. Made from halogen-free, UV-resistant materials.

Junction box according to DIN EN 60670. Flame-resistant to DIN EN 60695/2/11, test temperature 650 °C. Impact resistance IK07 according to DIN EN 50102.



PP Polypropylene

Master data

| | |
|---------------------|----------------------|
| Item number | 2007045 |
| Type | T 40 |
| Description 1 | Junction box |
| Description 2 | with entries |
| Manufacturer | OBO |
| Dimension | 90x90x52 |
| Colour | Light grey; RAL 7035 |
| Material | Polypropylene |
| Smallest sales unit | 5 |
| Unit of quantity | Piece |
| Weight | 6.7 kg |
| Weight unit | kg/100 pc. |

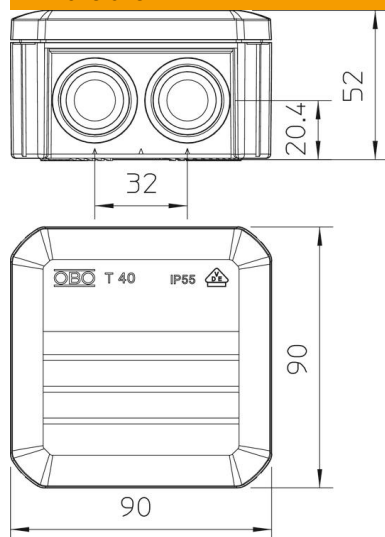
Technical data sheet

Junction box T 40, plug-in seal

Item number: 2007045



Dimensions



| | |
|--------|-------|
| Length | 90 mm |
| Width | 90 mm |
| Height | 52 mm |

Technical data

| | |
|-----------------------------------|-----------------------------------------------------------|
| Expandable | yes |
| No. of entries | 7 |
| Type of insertion... | Plug-in seal |
| Type of entry | Cable |
| Type of housing penetration | Cuttable stepped membrane |
| Measured insulation voltage V_i | 500 V |
| Equipment | Without |
| Cover | Not transparent |
| Cover fastening | Locking |
| Entry from rear | yes |
| Entries | 7 x M25 |
| Explosion-tested version | no |
| Flame-resistant | acc. to VDE 0471/DIN 695 Part 2-1, test temperature 650°C |
| Shape | Square |
| Maintain electrical functions | Without |
| For Ex zone | Without |
| For Ex zone gas | Without |
| For Ex zone dust | Without |
| Fibre-glass reinforced | no |
| Halogen-free | yes |
| Clear internal dimensions | 77x77x46 mm |
| With screening | no |
| with lid | yes |
| Mounting type | Wall/ceiling mounting |
| Nominal cross-section, min. | 4 mm ² |
| Nominal voltage | 500 V |
| Sealable | no |
| Protection rating | IP55 |
| Protection rating IK code | IK07. |

Technical data sheet

Junction box T 40, plug-in seal

Item number: 2007045



Technical data

| | |
|-----------------------------------|-------|
| Permitted temperature range, max. | 60 °C |
| Permitted temperature range, min. | -5 °C |
| Weatherproof | no |