

Technical data sheet

Junction box T250, with plug-in seal, transparent elevated cover

Item number: 2007756



Junction box for the connection of cables and lines indoors and in protected outdoor areas. Rectangular design with plug-in seals to the sides and knock-out entries in the bottom. Suitable for wall and ceiling mounting, on mounting panels and threads in the floor. With the option to fasten inside and to mount via the corner domes. High, transparent cover with quick lock, sealable. Made from halogen-free and UV-resistant materials.

With hat profile rail.

Junction box according to DIN EN 60670. Flame-resistant to DIN EN 60695/2/11, test temperature 650 °C. Impact resistance IK05 according to DIN EN 50102. Clear internal dimensions: 225x173x103 mm



PP/PC Polypropylene / polycarbonate

Master data

Item number	2007756
Type	T 250 HD TR
Description 1	Junction box
Description 2	with high transparent cover
Manufacturer	OBO
Dimension	240x190x115
Colour	Light grey; RAL 7035
Material	Polypropylene / polycarbonate
Smallest sales unit	1
Unit of quantity	Piece
Weight	52.01 kg
Weight unit	kg/100 pc.

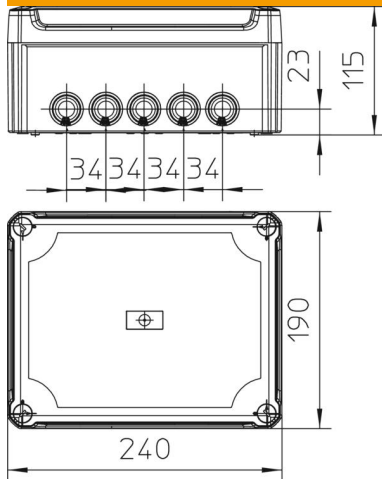
Technical data sheet

Junction box T250, with plug-in seal, transparent elevated cover

Item number: 2007756



Dimensions



Length	240 mm
Width	190 mm
Height	112 mm

Technical data

Expandable	yes
No. of entries	16
Type of insertion...	Plug-in seal
Type of entry	Cable
Type of housing penetration	Miscellaneous
Measured insulation voltage V_i	500 V
Equipment	Without
Cover	Transparent
Cover fastening	Screwed
Entry from rear	yes
Entries	9xM257xM32
Explosion-tested version	no
Flame-resistant	acc. to VDE 0471/DIN 695 Part 2-1, test temperature 650°C
Shape	Rectangular
Maintain electrical functions	Without
For Ex zone	Without
For Ex zone gas	Without
For Ex zone dust	Without
Fibre-glass reinforced	yes
Halogen-free	yes
Clear internal dimensions	225x173x103 mm
With screening	no
with lid	yes
Mounting type	Wall/ceiling mounting
Nominal voltage	500 V
Sealable	yes
Protection rating	IP66
Protection rating IK code	IK05.
Permitted temperature range, max.	60 °C
Permitted temperature range, min.	-5 °C

Technical data sheet

Junction box T250, with plug-in seal, transparent elevated cover

Item number: 2007756



Technical data

Weatherproof		yes
--------------	--	-----