

Technical data sheet

Cover for junction box T 100, perforated without Schuko sockets

Item number: 2007826



Cover for T 100 propylene junction boxes. Depending on the type, opening for Modul 45 devices or with two or four Modul 45 protective contact sockets in white.

Cover can be lead-sealed, with labelling panel for double sockets.



PP Polypropylene

Master data

Item number	2007826
Type	T 100 D MSD2A
Description 1	Cover
Description 2	punched without sockets
Manufacturer	OBO
Dimension	150x116x15
Colour	Light grey; RAL 7035
Material	Polypropylene
Smallest sales unit	1
Unit of quantity	Piece
Weight	6.2 kg
Weight unit	kg/100 pc.

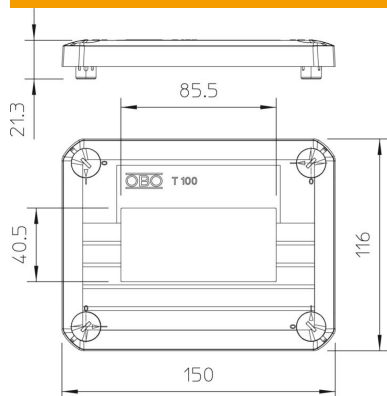
Technical data sheet

Cover for junction box T 100, perforated without Schuko sockets

Item number: 2007826



Dimensions



Length	150 mm
Width	116 mm
Height	15 mm

Technical data

Version, concealed and cavity wall cover	Mounting lid
Shape	Rectangular