

Technical data sheet

TP support/wall and support bracket A2

Item number: 6364876



TP support / bracket for the fastening to horizontal concrete ceilings and walls.
If the profile is fastened directly to the ceiling or the profile is screwed together as head reinforcement, then, for reasons of stability, always use the spacer, type DS 4.



A2 Stainless steel

2B Bright, treated

Master data

| | |
|---------------------|-----------------------------|
| Item number | 6364876 |
| Description 1 | TP wall and support bracket |
| Description 2 | use as support and bracket |
| Manufacturer | OBO |
| Dimension | 245x60x120 |
| Material | Stainless steel |
| Surface | Bright, treated |
| Surface standard | |
| Smallest sales unit | 1 |
| Unit of quantity | Piece |
| Weight | 45 kg |
| Weight unit | kg/100 pc. |

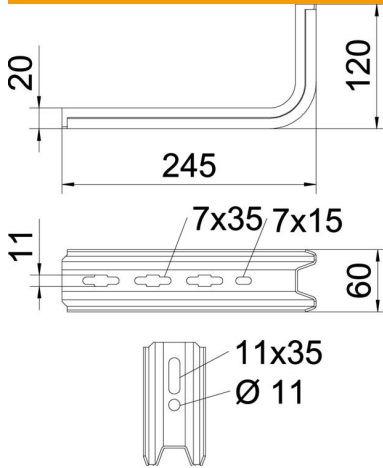
Technical data sheet

TP support/wall and support bracket A2

Item number: 6364876



Dimensions

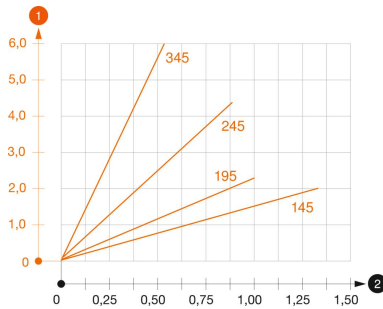


| | |
|-------------|--------|
| Length | 245 mm |
| Width | 60 mm |
| Height | 120 mm |
| Dimension B | 60 mm |
| Dimension H | 120 mm |
| Dimension L | 245 mm |

Technical data

| | |
|-------------------------------|--------------------------|
| Version for | Wall and support bracket |
| F in kN | 0.9 kN |
| Maintain electrical functions | no |
| for width max. | 200 mm |
| for width min. | 200 |
| Rustproof steel, pickled | no |

Loads



Load diagram, bracket, type TPSA

- 1** Bending of the bracket tip at permitted bracket load
- 2** Permitted bracket load in kN without man load
- Load curve with bracket lengths in mm

Characteristic anchor load values for TP bracket

| Anchor type | Wall fastening | | | |
|----------------|--------------------|-----|-----|------|
| | Max. load [kN] | | | |
| | Bracket width [mm] | | | |
| | 145 | 195 | 245 | 345 |
| BZ-U 8-30/95 | 1 | 1.3 | 0.7 | 2.4 |
| BZ-U 10-30/110 | 1.5 | 1 | 0.9 | 0.55 |

Max. total load F = cable weight + cable tray + bracket. The load capacity values increase considerably when used in uncracked concrete. The values given are based on concrete of strength class C20/25. Observe the installation conditions of the DIBt approval (anchors).