

# Technical data sheet

## TP support / wall and support bracket FT

Item number: 6364659



TP support/bracket for fastening to horizontal concrete ceilings and walls.  
If the profile is fastened directly to the ceiling or the profile is screwed together as head reinforcement, then, for reasons of stability, always use the spacer, type DS 4.



**St** Steel

**FT** Hot-dip galvanised

### Master data

Item number	6364659
Type	TPSA 145 FT
Description 1	TP wall and support bracket
Description 2	use as support and bracket
Manufacturer	OBO
Dimension	B145mm
Material	Steel
Surface	Hot-dip galvanised
Surface standard	DIN EN ISO 1461
Smallest sales unit	1
Unit of quantity	Piece
Weight	33 kg
Weight unit	kg/100 pc.

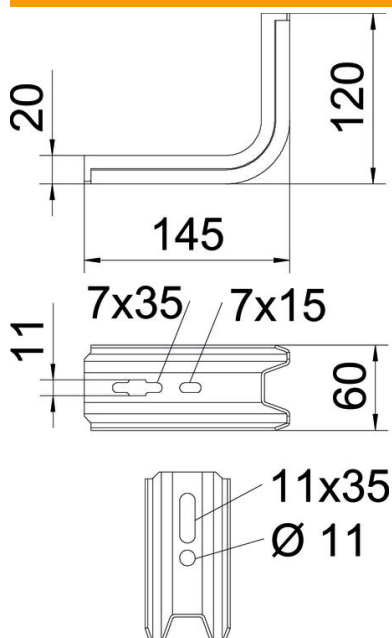
# Technical data sheet

## TP support / wall and support bracket FT



Item number: 6364659

### Dimensions



Length	145 mm
Width	60 mm
Height	120 mm
Dimension L	145 mm

### Technical data

Version for	Wall and support bracket
F in kN	1.5 kN
Maintain electrical functions for width max.	no
for width min.	100 mm
Rustproof steel, pickled	100
	no

### Characteristic anchor load values for TP bracket

Anchor type	Wall fastening			
	Max. load [kN]			
	Bracket width [mm]			
	145	195	245	345
BZ3 10x90/0-30	1.3	0.93	0.60	0.68

The load capacity values increase considerably when used in uncracked concrete. The stated values are based on cracked concrete of compressive strength C20/25. Please comply with the installation conditions of ETA(anchors).