

# Technical data sheet

## TP support / wall and support bracket FS

Item number: 6364101



TP support/bracket for fastening to horizontal concrete ceilings and walls.  
If the profile is fastened directly to the ceiling or the profile is screwed together as head reinforcement, then, for reasons of stability, always use the spacer, type DS 4.



**St** Steel

**FS** Strip galvanized

### Master data

Item number	6364101
Type	TPSA 145 FS
Description 1	TP wall and support bracket
Description 2	use as support and bracket
Manufacturer	OBO
Dimension	B145mm
Material	Steel
Surface	Strip galvanized
Surface standard	DIN EN 10346
Smallest sales unit	1
Unit of quantity	Piece
Weight	32.3 kg
Weight unit	kg/100 pc.

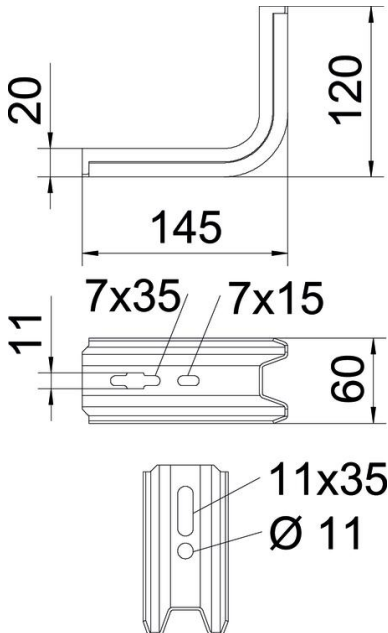
# Technical data sheet

## TP support / wall and support bracket FS

Item number: 6364101



### Dimensions

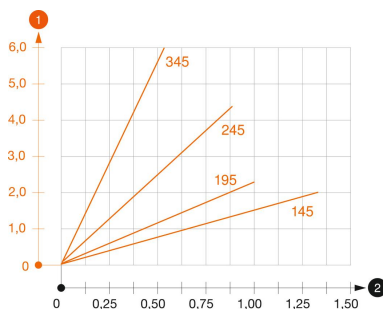


Length	145 mm
Width	60 mm
Height	120 mm
Dimension L	145 mm

### Technical data

Version for	Wall and support bracket
F in kN	1.5 kN
Maintain electrical functions for width max.	no
for width min.	100 mm
Rustproof steel, pickled	no

### Loads



#### Load diagram, bracket, type TPSA

- 1 Bending of the bracket tip at permitted bracket load
- 2 Permitted bracket load in kN without man load
- Load curve with bracket lengths in mm