

# Technical data sheet

## TP support/wall and support bracket A2

Item number: 6364871



TP support / bracket for the fastening to horizontal concrete ceilings and walls.  
If the profile is fastened directly to the ceiling or the profile is screwed together as head reinforcement, then, for reasons of stability, always use the spacer, type DS 4.



**A2** Stainless steel

**2B** Bright, treated

### Master data

|                     |                             |
|---------------------|-----------------------------|
| Item number         | 6364871                     |
| Type                | TPSA 145 A2                 |
| Description 1       | TP wall and support bracket |
| Description 2       | use as support and bracket  |
| Manufacturer        | OBO                         |
| Dimension           | B145mm                      |
| Material            | Stainless steel             |
| Surface             | Bright, treated             |
| Surface standard    |                             |
| Smallest sales unit | 1                           |
| Unit of quantity    | Piece                       |
| Weight              | 32 kg                       |
| Weight unit         | kg/100 pc.                  |

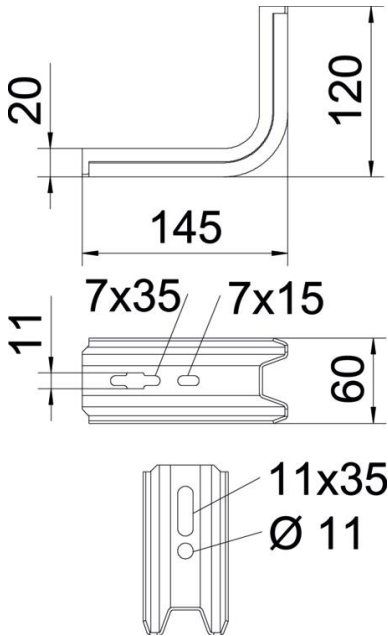
# Technical data sheet

## TP support/wall and support bracket A2

Item number: 6364871



### Dimensions

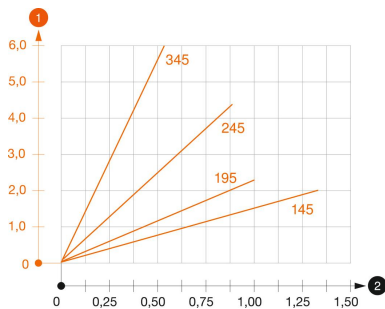


|             |        |
|-------------|--------|
| Length      | 145 mm |
| Width       | 60 mm  |
| Height      | 120 mm |
| Dimension L | 145 mm |

### Technical data

|  |                          |
|--|--------------------------|
| Version for                                  | Wall and support bracket |
| F in kN                                      | 1.5 kN                   |
| Maintain electrical functions for width max. | no                       |
| for width min.                               | 100 mm                   |
| Rustproof steel, pickled                     | no                       |

### Loads



#### Load diagram, bracket, type TPSA

- 1 Bending of the bracket tip at permitted bracket load
- 2 Permitted bracket load in kN without man load
- Load curve with bracket lengths in mm