

# Technical data sheet

## TP support / wall and support bracket FT



Item number: 6366131



TP bracket with clamping lugs.

If the bracket is fastened directly to the wall or the profiles are screwed together, then, for reasons of stability, always use the spacer, type DS 4.

Mesh cable trays with a 50 x 100 mm grid width, e.g. type GRL, GR and GRM, can be fastened to the TP bracket without screws.



**St** Steel

**FT** Hot-dip galvanised

### Master data

Item number	6366131
Type	TPSAG 145 FT
Description 1	TP wall and support bracket
Description 2	for mesh cable tray
Manufacturer	OBO
Dimension	B145mm
Material	Steel
Surface	Hot-dip galvanised
Surface standard	DIN EN ISO 1461
Smallest sales unit	1
Unit of quantity	Piece
Weight	33 kg
Weight unit	kg/100 pc.

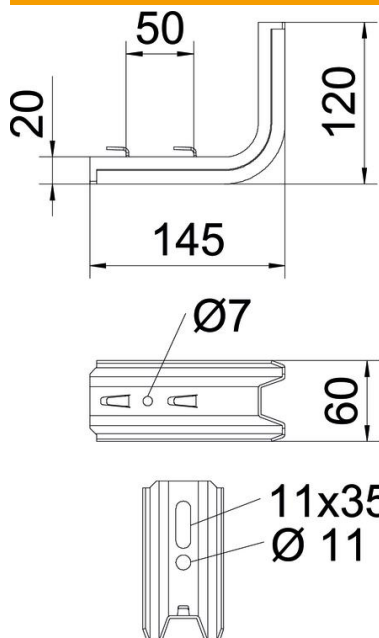
# Technical data sheet

## TP support / wall and support bracket FT

Item number: 6366131



### Dimensions



Length	145 mm
Width	120 mm
Height	60 mm
Dimension L	145 mm
Maß W	50 mm

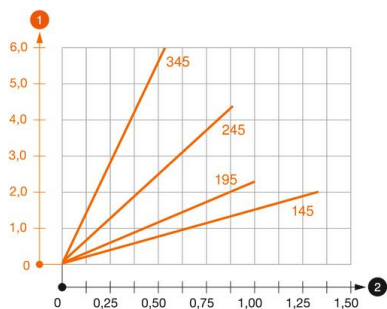
### Chara

The load strength

### Technical data

Version for	Wall and support bracket
F in kN	1.5 kN
Maintain electrical functions for width max.	no
for width min.	100 mm
Rustproof steel, pickled	100
	no

### Loads



### Load diagram, bracket, type TPSAG

- 1 Bending of the bracket tip at permitted bracket load
- 2 Permitted bracket load in kN without man load
- 2 Support width in m