

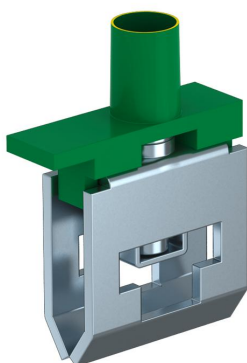
Technical data sheet

Protective conductor terminal

Item number: 7205708



Protective conductor terminal for refitting of the FireBox T series with green-yellow identification.



Master data

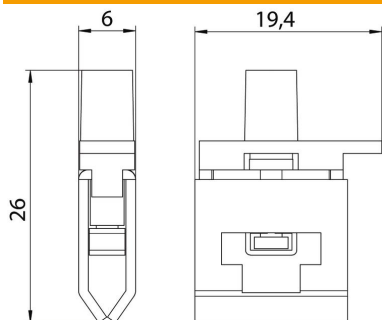
Item number	7205708
Type	TPE 04
Description 1	Protective conductor terminal
Description 2	for FireBox T
Manufacturer	OBO
Dimension	4 mm ²
Smallest sales unit	5
Unit of quantity	Piece
Weight	0.4 kg
Weight unit	kg/100 pc.

Technical data sheet

Protective conductor terminal

Item number: 7205708

Dimensions



Dimension B	19 mm
Dimension H	26 mm
Dimension L	6 mm

Technical data

Suitable for ribbon conductor connection	no
Suitable for round cable connection	yes
Suitable for sector conductor connection	no
Max. Measuring operating current	140 A
Max. Conductor cross-section	4 mm ²
Bus bar width	6 mm
Bus bar thickness	6 mm
Suitable for busbar	Flat rail