

# Technical data sheet

## TP wall and ceiling bracket FS

Item number: 6365906



TP wall and ceiling bracket with clamping lugs for screwless mesh cable tray fastening.

If the wall and ceiling bracket is fastened directly to the wall or ceiling, then, for reasons of stability, always use the spacer, type DS 4.

Max. side height of the cable support system 60 mm.



**St** Steel

**FS** Strip galvanized

### Master data

Item number	6365906
Type	TPDG 145 FS
Description 1	Wall and ceiling bracket
Description 2	for mesh cable tray
Manufacturer	OBO
Dimension	B145mm
Material	Steel
Surface	Strip galvanized
Surface standard	DIN EN 10346
Smallest sales unit	6
Unit of quantity	Piece
Weight	52 kg
Weight unit	kg/100 pc.

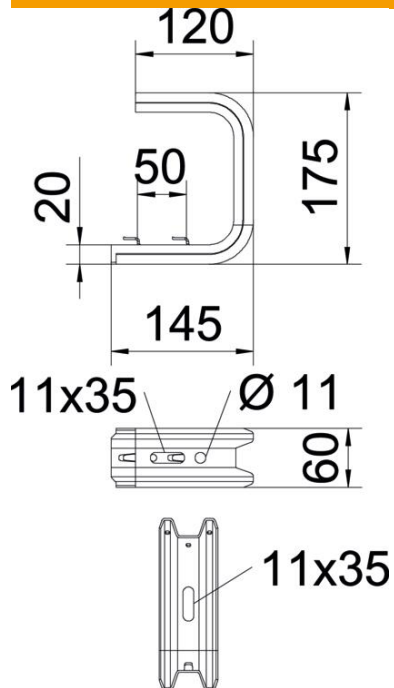
# Technical data sheet

## TP wall and ceiling bracket FS

Item number: 6365906



### Dimensions



Length	175 mm
Width	145 mm
Height	60 mm
Dimension B	145 mm
Dimension L	50 mm

### Technical data

Version for	Suspension bracket (C clamp)
F in kN ceiling	1.3 kN
F in kN wall	1.4 kN
Maintain electrical functions	no
for width max.	100 mm
for width min.	100
Suitable for mesh cable tray	yes
Suitable for cable ladder	no
Suitable for cable tray	no
Suitable for tray/ladder width	100 mm

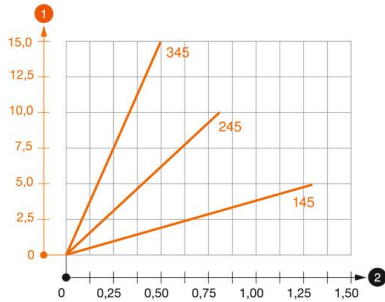
# Technical data sheet

## TP wall and ceiling bracket FS

Item number: 6365906



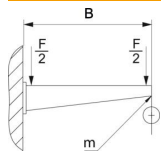
### Loads



#### Load diagram, ceiling clamp TPDG

- 1 Bending of the bracket tip at permitted bracket load
- 2 Permitted bracket load in kN without man load
- Load curve with bracket lengths in mm

### Characteristic anchor load values for TPDG wall and ceiling bracket



Anchor type	Wall fastening				
	Max. load [kN]				
	Bracket length [mm]				
	145	245	345	445	545
BZ3 8x95/0-40	0.56	0.53	0.50	0.47	0.44
BZ3 10x90/0-30	1.03	0.96	0.68	0.54	

Max. total load  $F$  = cable weight + cable tray + ceiling bracket. The load capacity values increase considerably when used in uncracked concrete. The values given are based on concrete of strength class C20/25.