

# Technical data sheet

## TP wall and ceiling bracket A2

Item number: 6365989



TP wall and ceiling bracket with clamping lugs for screwless mesh cable tray fastening.

If the wall and ceiling bracket is fastened directly to the wall or ceiling, then, for reasons of stability, always use the spacer, type DS 4.

Max. side height of the cable support system 60 mm.



**A2** Stainless steel

**2B** Bright, treated

### Master data

Item number	6365989
Type	TPDG 145 A2
Description 1	Wall and ceiling bracket
Description 2	for mesh cable tray
Manufacturer	OBO
Dimension	B145mm
Material	Stainless steel
Surface	Bright, treated
Surface standard	
Smallest sales unit	6
Unit of quantity	Piece
Weight	52 kg
Weight unit	kg/100 pc.

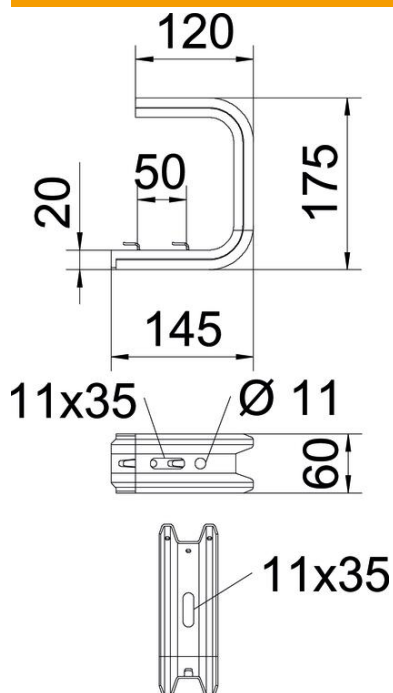
# Technical data sheet

## TP wall and ceiling bracket A2

Item number: 6365989

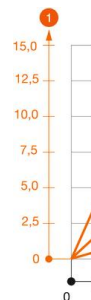


### Dimensions

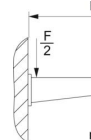


Length	175 mm
Width	145 mm
Height	60 mm
Dimension B	145 mm
Dimension H	175 mm
Dimension L	50 mm

### Loads



### Chara



Max. total  
values give

### Technical data

Version for	Suspension bracket (C clamp)
F in kN ceiling	1.3 kN
F in kN wall	1.4 kN
Maintain electrical functions	no
for width max.	100 mm
for width min.	100
Suitable for mesh cable tray	yes
Suitable for cable ladder	no
Suitable for cable tray	no
Suitable for tray/ladder width	100 mm