

# Technical data sheet

## Profile ceiling suspensions

Item number: 1486861



Push-through fastening, with opening to accept S hooks or bolt and nut.



- St** Steel
- ZL** Zinc slat

### Master data

|                     |                           |
|---------------------|---------------------------|
| Item number         | 1486861                   |
| Type                | TKT                       |
| Description 1       | Profile ceiling uncoupler |
| Description 2       | with fastening hole 7 mm  |
| Manufacturer        | OBO                       |
| Dimension           | 60mm                      |
| Material            | Steel                     |
| Surface             | Zinc slat                 |
| Surface standard    |                           |
| Smallest sales unit | 100                       |
| Unit of quantity    | Piece                     |
| Weight              | 0.9 kg                    |
| Weight unit         | kg/100 pc.                |

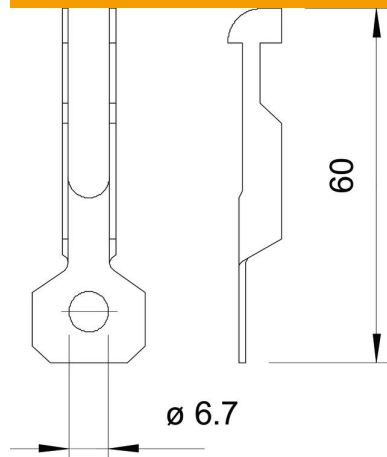
# Technical data sheet

## Profile ceiling suspensions

Item number: 1486861



### Dimensions



|        |       |
|--------|-------|
| Height | 60 mm |
|--------|-------|

### Technical data

|                           |         |
|---------------------------|---------|
| Connection type/component | Hole    |
| Fastening hole            | 6.7 mm  |
| Breaking load             | 0.45 kN |