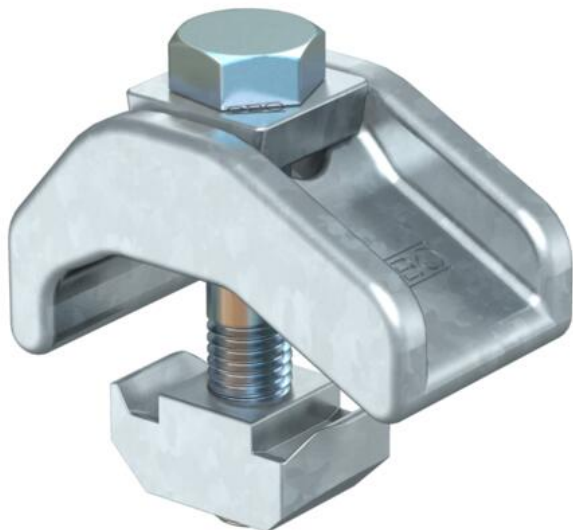


Technical data sheet

Chuck jaw, heavy duty TKH ZL

Item number: 6355805



Heavy-duty chuck jaw with slide nut for fastening profile rails to steel girders. The clamping range of the chuck jaw is limited to the maximum fastening thickness, 30 mm.

The chuck jaw is used in combination with profile rails of slot width 22 mm.

CEUK
CA

St Steel

ZL Zinc slat

Master data

Item number	6355805
Type	TKH-S-30 ZL
Description 1	Tensioning claw, heavy
Description 2	with sliding nut
Manufacturer	OBO
Dimension	M12x65
Material	Steel
Surface	Zinc slat
Surface standard	
Smallest sales unit	10
Unit of quantity	Pair
Weight	88.6 kg
Weight unit	kg/100 pairs

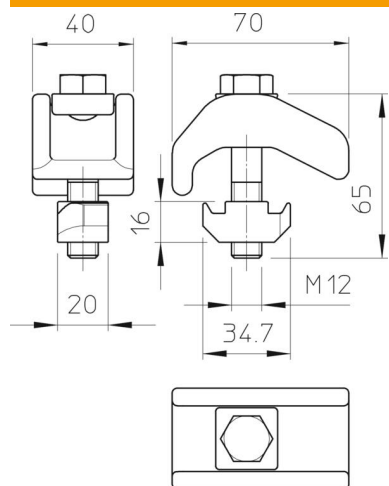
Technical data sheet

Chuck jaw, heavy duty TKH ZL

Item number: 6355805



Dimensions



Height	30 mm
--------	-------

Technical data

F in kN	21 kN
Suitable for flange thickness, max.	30 mm
Suitable for flange thickness, min.	20 mm
Thread metric	12
Bolt	M12 x 65