

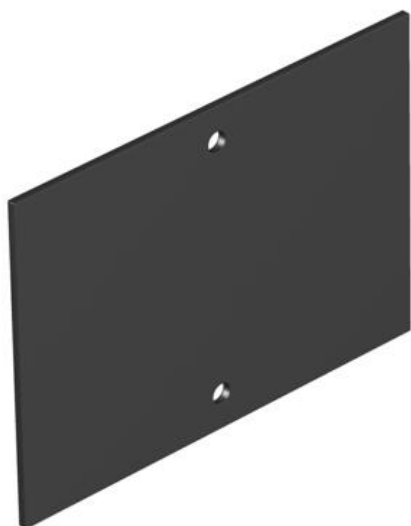
Technical data sheet

Cover plate, Telitank T4B, blank

Item number: 7408228



Cover plate "blank", suitable for lengthwise side of T4B (1/1 cover)



PVC Polyvinylchloride

Master data

Item number	7408228
Type	T4B P0S2 9011
Description 1	Cover plate
Description 2	blank for T4B
Manufacturer	OBO
Dimension	110x77mm
Colour	Graphite black; RAL 9011
Material	Polyvinylchloride
Smallest sales unit	1
Unit of quantity	Piece
Weight	2.16 kg
Weight unit	kg/100 pc.

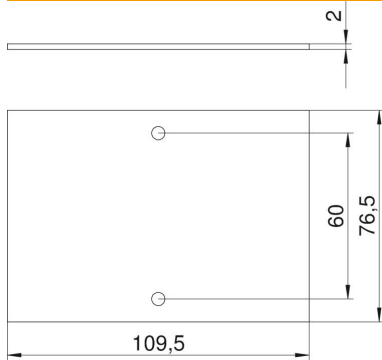
Technical data sheet

Cover plate, Telitank T4B, blank

Item number: 7408228



Dimensions



Length	77 mm
Width	110 mm
Height	2 mm

Technical data

Application	On-floor tank
Fastening type	Screw-on
Blanking lid	yes