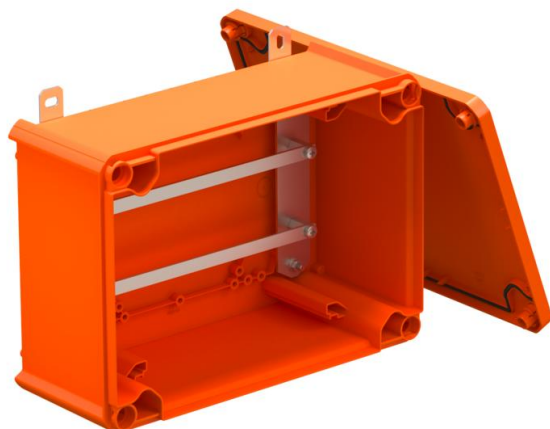


Technical data sheet

Closed FireBox T350, empty

Item number: 7205786



Unequipped, closed connection or junction box for free termination with ceramic terminals and cable glands. Dimension A states the available support rail length for the wiring terminals. Sufficiently large wiring compartment through diagonally arranged support rail. Fastening on easily accessible external flaps made of stainless steel. Approved for cable systems that maintain the electrical function according to DIN 4102 Part 12 with the classes E30, E60 and E90.

E30 E60 E90 IP 66

PP Polypropylene

Master data

Item number	7205786
Type	T350E 0VA
Description 1	Junction box
Description 2	for function maintenance
Manufacturer	OBO
Dimension	285x201x120
Colour	Pastel orange; RAL 2003
Material	Polypropylene
Smallest sales unit	1
Unit of quantity	Piece
Weight	121.611 kg
Weight unit	kg/100 pc.

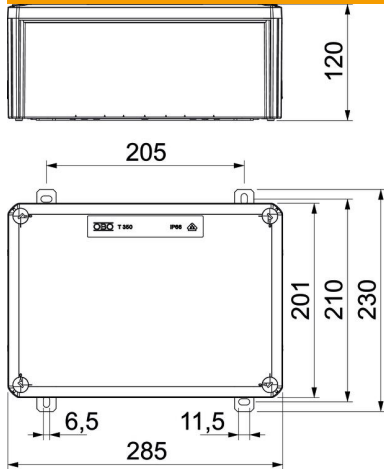
Technical data sheet

Closed FireBox T350, empty



Item number: 7205786

Dimensions



Length	285 mm
Width	201 mm
Height	120 mm
Dimension A	386 mm
Dimension B	201 mm
Dimension H	120 mm
Dimension L	285 mm
Dimension L1	205 mm
Dimension L2	230 mm

Technical data

Equipment	Support rail
Cover	Not transparent
Cover fastening	Screwed
Entry from rear	no
Maintain electrical functions	E 90
Halogen-free	yes
Clear internal dimensions	267x182x110 mm
With screening	no
with lid	yes
Nominal cross-section, max.	16 mm ²
Nominal cross-section, min.	0.5 mm ²
Sealable	no
Protection rating	IP66