

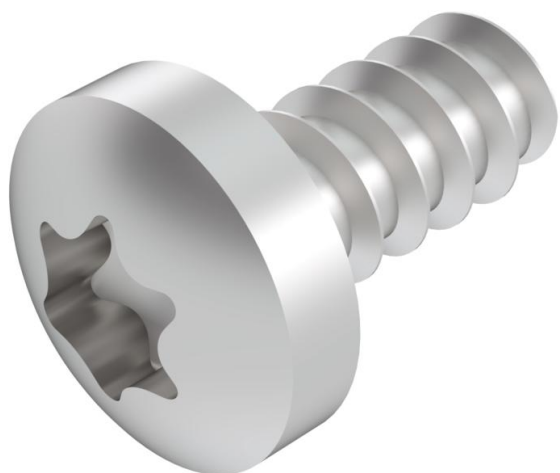
Technical data sheet

Lens head metal screw

Item number: 6049248



Metal screw with lens head according to shape F and Torx drive, according to DIN EN ISO 7049, to fasten protective panels to the Z supports for the walkable cable tray system.



St Steel

G Electrogalvanized

Master data

Item number	6049248
Type	SPHS 4,8x9,5 G
Description 1	Pan head metal screw
Description 2	Form F with Torx
Manufacturer	OBO
Dimension	4,8x9,5
Material	Steel
Surface	Electrogalvanized
Surface standard	EN ISO 19598 / EN ISO 4042
Smallest sales unit	100
Unit of quantity	Piece
Weight	0.2 kg
Weight unit	kg/100 pc.

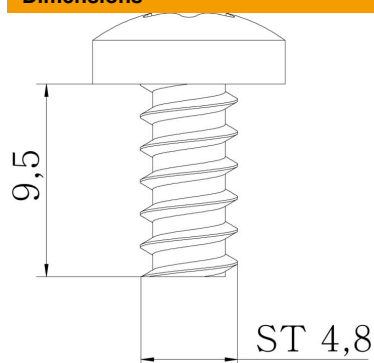
Technical data sheet

Lens head metal screw

Item number: 6049248



Dimensions



Dimension	4,8x9,5
Length	13.05 mm
Width	9.5 mm
Dimension d	4.8 mm
Dimension L	9.5 mm

Technical data

Thread diameter ST	4.8
Thread length	9.5 mm
Fibre-glass reinforced	no
Halogen-free	yes
Head diameter	9.5 mm
Head shape	Rounded head
With nut	no
With washer	no
Rustproof steel, pickled	no
Impact-resistant	no
Screw system	Torx