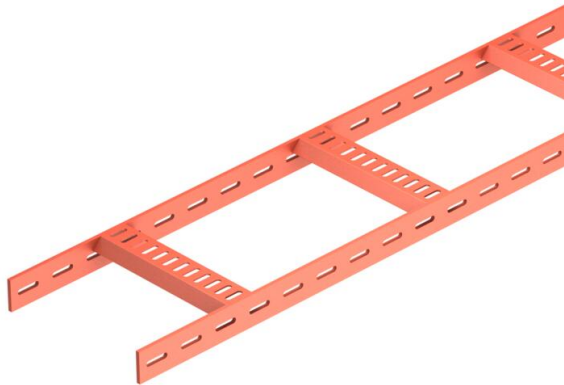


# Technical data sheet

## Cable ladder with trapezoidal rungs, standard SG



Item number: 7097239



Shipbuilding cable ladder with perforated side rail of side height 40 mm with welded, perforated trapezoidal rungs which open in a downwards direction. Load tested according to IEC in conjunction with connector, type SLV. Welding primer type SIGMA-WELD 199. The shipbuilding cable ladder, including fittings, is also available in stainless steel on request. Powder coating according to RAL colours possible.



- St** Steel
- SG** Welding primed

### Master data

Item number	7097239
Type	SL 62 200 SG
Description 1	Cable ladder, shipbuilding
Description 2	with trapezoidal rung
Manufacturer	OBO
Dimension	40x210x3000
Material	Steel
Surface	Welding primed
Surface standard	
Smallest sales unit	3
Unit of quantity	Metre
Weight	332.34 kg
Weight unit	kg/100 m

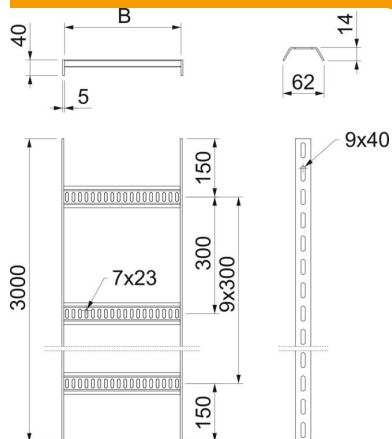
# Technical data sheet

## Cable ladder with trapezoidal rungs, standard SG

Item number: 7097239



### Dimensions



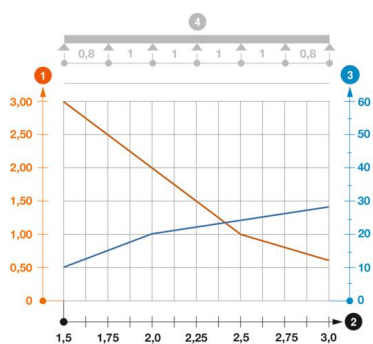
Length	3,000 mm
Length	3,000 ft
Width	200 mm
Height	40 mm
Dimension B	210 mm

### Technical data

Version of the rungs	Profile perforated
Side rail version	Flat profile
Fastening of rung	Welded
Maintain electrical functions	no
Rustproof steel, pickled	no
Side perforation	yes
Rung distance	300 mm
Wide-span version	no
Rail thickness	5 mm

### Loads

Support spacing 1.5 m	3 kN/m
Support spacing 2.0 m	2 kN/m
Support spacing 2.5 m	1 kN/m
Support spacing 3.0 m	0.6 kN/m



#### Load diagram, cable ladder, type SL62

- 1 Permitted cable tray/ladder load in kN/m without man load
- 2 Support width in m
- 3 Rail bend in mm at permitted kN/m
- Load curve with cable tray/ladder width in mm
- Strut bend curve according to support width
- 4 Load scheme during testing