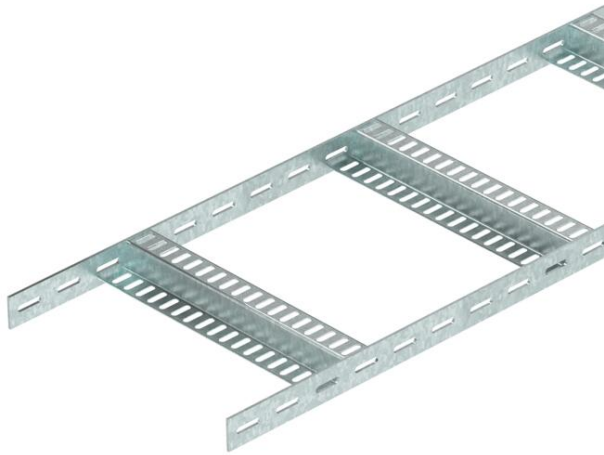


# Technical data sheet

## Cable ladder with Z rung, light-duty FT

Item number: 7098014



Light-duty shipbuilding cable ladder with perforated side rail of side height 35 mm with welded, perforated Z rungs. Load tested according to IEC in conjunction with connector, type SLV.

The shipbuilding cable ladder, including fittings, is also available in stainless steel on request. Powder coating according to RAL colours possible.



<b>St</b>	Steel
<b>FT</b>	Hot-dip galvanised

### Master data

Item number	7098014
Type	SLZ L 600 FT
Description 1	Cable ladder, shipbuilding
Description 2	with Z-rung
Manufacturer	OBO
Dimension	35x606x3000
Material	Steel
Surface	Hot-dip galvanised
Surface standard	DIN EN ISO 1461
Smallest sales unit	3
Unit of quantity	Metre
Weight	291.667 kg
Weight unit	kg/100 m

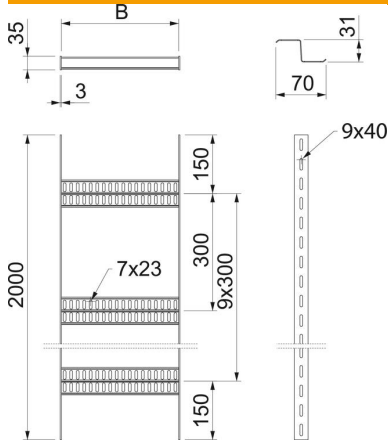
# Technical data sheet

## Cable ladder with Z rung, light-duty FT

Item number: 7098014



### Dimensions



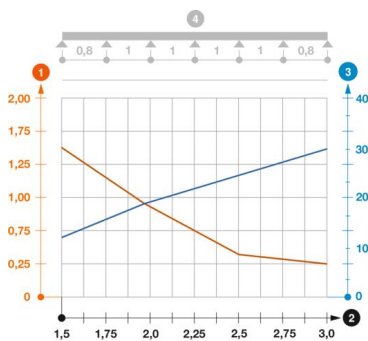
Dimension	35x600
Length	3,000 mm
Length	3,000 ft
Width	600 mm
Height	35 mm
Dimension B	606 mm

### Technical data

Version of the rungs	Profile perforated
Side rail version	Flat profile
Fastening of rung	Welded
Maintain electrical functions	no
Rustproof steel, pickled	no
Side perforation	yes
Rung distance	300 mm
Wide-span version	no
Rail thickness	3 mm

### Loads

Support spacing 1.5 m	1.5 kN/m
Support spacing 2.0 m	0.85 kN/m
Support spacing 2.5 m	0.35 kN/m
Support spacing 3.0 m	0.25 kN/m



#### Load diagram, cable ladder, type SLZ L

- 1** Permitted cable tray/ladder load in kN/m without man load
- 2** Support width in m
- 3** Rail bend in mm at permitted kN/m
- Load curve with cable tray/ladder width in mm
- Strut bend curve according to support width
- 4** Load scheme during testing