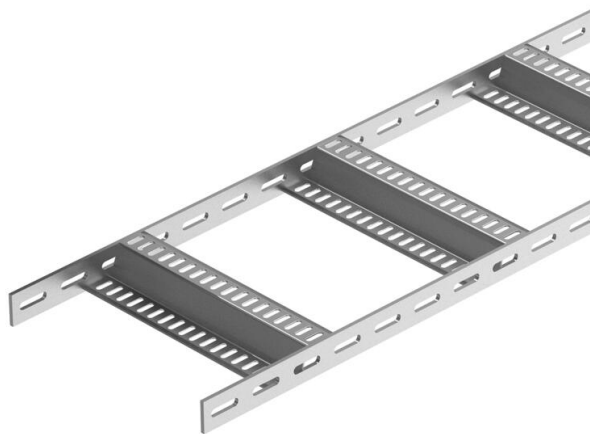


Technical data sheet

Cable ladder with Z rung, standard A4

Item number: 7098232



Shipbuilding cable ladder with perforated side rail of side height 40 mm with welded, perforated Z rungs. Load tested according to IEC in conjunction with connector, type SLV.

The shipbuilding cable ladder is also available in unpainted steel on request.



A4 Stainless steel

2B Bright, treated

Master data

| | |
|---------------------|----------------------------|
| Item number | 7098232 |
| Type | SLZ 600 A4 |
| Description 1 | Cable ladder, shipbuilding |
| Description 2 | with Z-rung |
| Manufacturer | OBO |
| Dimension | 40x610x3000 |
| Material | Stainless steel |
| Surface | Bright, treated |
| Surface standard | |
| Smallest sales unit | 3 |
| Unit of quantity | Metre |
| Weight | 585.67 kg |
| Weight unit | kg/100 m |

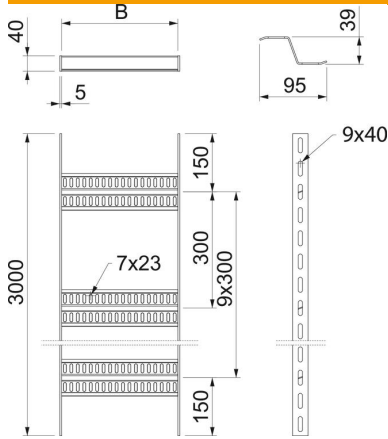
Technical data sheet

Cable ladder with Z rung, standard A4

Item number: 7098232



Dimensions



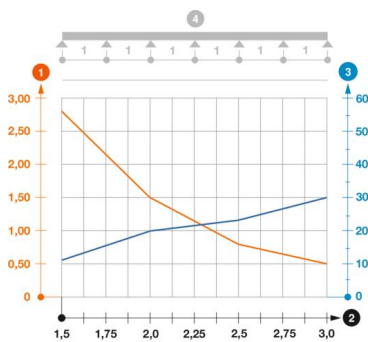
| | |
|-------------|----------|
| Dimension | 40x600 |
| Length | 3,000 mm |
| Length | 3,000 ft |
| Width | 600 mm |
| Height | 40 mm |
| Dimension B | 610 mm |

Technical data

| | |
|-------------------------------|--------------------|
| Version of the rungs | Profile perforated |
| Side rail version | Flat profile |
| Fastening of rung | Welded |
| Maintain electrical functions | no |
| Rustproof steel, pickled | yes |
| Side perforation | yes |
| Rung distance | 300 mm |
| Wide-span version | no |
| Rail thickness | 5 mm |

Loads

| | |
|-----------------------|----------|
| Support spacing 1.5 m | 2.8 kN/m |
| Support spacing 2.0 m | 1.5 kN/m |
| Support spacing 2.5 m | 0.8 kN/m |
| Support spacing 3.0 m | 0.5 kN/m |



Load diagram, cable ladder, type SLZ A2 A4

- 1 Permitted cable tray/ladder load in kN/m without man load
- 2 Support width in m
- 3 Rail bend in mm at permitted kN/m
- Load curve with cable tray/ladder width in mm
- Strut bend curve according to support width
- 4 Load scheme during testing