

# Technical data sheet

## Vertical ladder, SLM50

Item number: 6010008



Heavyweight vertical ladder system for the maintenance of electrical function to DIN 4102 Part 12. Approved clips, type BS-U1-M-... FT. Supplied unmounted. Rungs, type C 40/..., and bolts, type FRS 8 x 35, are supplied unmounted with rail profiles. Rung distance: 300 mm

- St** Steel
- FT** Hot-dip galvanised

### Master data

|                     |                      |
|---------------------|----------------------|
| Item number         | 6010008              |
| Type                | SLM50C40F 40 FT      |
| Description 1       | Vertical ladder      |
| Description 2       | rung distance 300 mm |
| Manufacturer        | OBO                  |
| Dimension           | 400x3000mm           |
| Material            | Steel                |
| Surface             | Hot-dip galvanised   |
| Surface standard    | DIN EN ISO 1461      |
| Smallest sales unit | 3                    |
| Unit of quantity    | Metre                |
| Weight              | 740 kg               |
| Weight unit         | kg/100 m             |

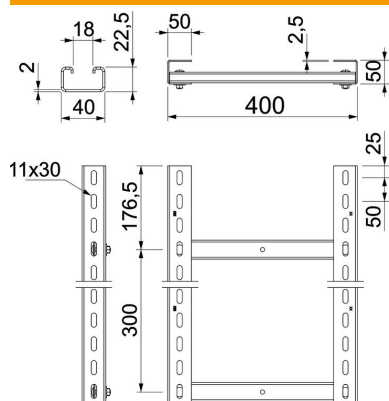
# Technical data sheet

## Vertical ladder, SLM50

Item number: 6010008



### Dimensions



|                     |          |
|---------------------|----------|
| Length              | 3,000 mm |
| Width               | 400 mm   |
| Height              | 50 mm    |
| Dimension B         | 400 mm   |
| Rung slot dimension | 2.00     |

### Technical data

|                               |                      |
|-------------------------------|----------------------|
| Side wall version             | Profile (open)       |
| Version of the rungs          | Profile unperforated |
| Maintain electrical functions | yes                  |
| Rustproof steel, pickled      | no                   |
| Side perforation              | yes                  |
| Rung distance                 | 300 mm               |