

Technical data sheet

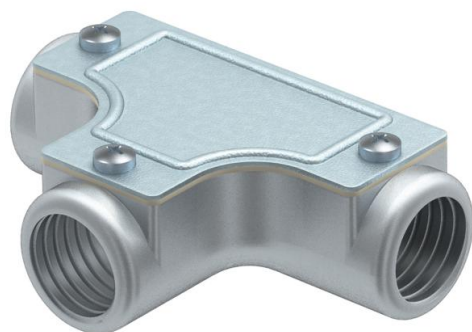
Control T piece with thread

Item number: 2047606



Die-cast aluminium T piece, with internal thread, for mounting in pipe sections as a junction.

Removable cover for easier cable routing and later checking.



AIG Cast aluminium

Master data

Item number	2047606
Type	SKTM25W ALU
Description 1	Control T piece
Description 2	with thread
Manufacturer	OBO
Dimension	M25x1,5
Material	Cast aluminium
Smallest sales unit	5
Unit of quantity	Piece
Weight	22 kg
Weight unit	kg/100 pc.

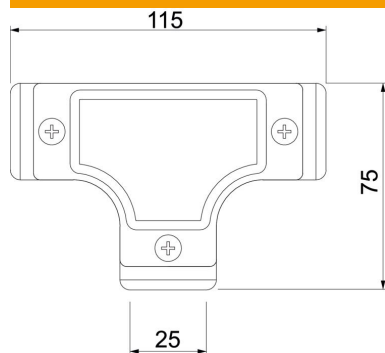
Technical data sheet

Control T piece with thread

Item number: 2047606



Dimensions



Length	115 mm
Dimension D	75 mm
Dimension L	115 mm
Dimension m (mm)	M25x1,5

Technical data

Version for	Thread
Thread	M25x1,5
Size	25
Halogen-free	no
Brushed surface	no
Polished surface	no