

# Technical data sheet

## Distribution box, 9 division units, empty, polystyrene

Item number: 2008828



Distribution box for surface mounting, for the current sub-distribution in interior and protected exterior areas, in accordance with IEC 439-3. With pre-mounted 35 mm hat profile rail. IP66 protection type and IK07 protection rating. Transparent cover to screw on, with cut-out.

- Protection-insulated for a maximum of 9 division units
- 8 Ø 20 mm break-out openings each at the top and bottom
- 1 Ø 20/25/32 mm combination break-out opening each at the top and bottom
- 4 screw cover caps
- Nominal current 63 A
- Power loss at 40 K 20.7 W



**PS** Polystyrene

### Master data

Item number	2008828
Description 1	Small distributor
Description 2	no terminal strip, for 9 units
Manufacturer	OBO
Dimension	240x191x125
Colour	Light grey; RAL 7035
Material	Polystyrene
Smallest sales unit	1
Unit of quantity	Piece
Weight	96 kg
Weight unit	kg/100 pc.

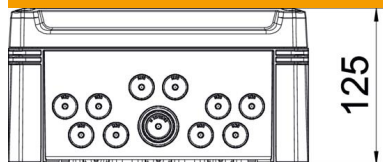
# Technical data sheet

Distribution box, 9 division units, empty, polystyrene

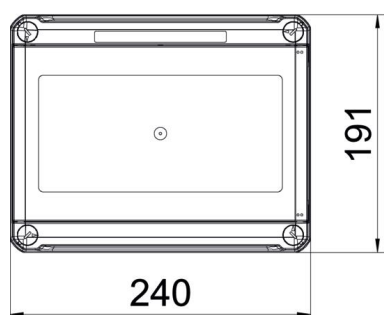


Item number: 2008828

## Dimensions



Length	241 mm
Width	191 mm
Height	126 mm



## Technical data

Extension option	yes
Number of rows	1
Cover type	Cover
Version, small distributor cover	With cut-out
DIN rail	yes
Installation location	Internal
EMC version	no
Glow wire test	650 °C
With mounting plate	no
With lock	no
Mounting type, consumer units	Structure
Nominal insulating voltage AC	1000 V
Nominal insulating voltage DC	1500 V
Nominal voltage	400 V
Nominal current	63 A
Protection rating	IP66
Protection rating IK code	IK07.
Transparent lid	yes