

# Technical data sheet

## Stainless steel pipe bend, V4A

Item number: 2046762



90° bend with moulded sleeves, for electrical installation pipes according to EN 61386-1. With burr-free inner wall.



**A4** Stainless steel

**2B** Bright, treated

### Master data

Item number	2046762
Type	SB25W A4
Description 1	Stainless steel bend
Description 2	without thread
Manufacturer	OBO
Dimension	Ø25mm
Material	Stainless steel
Surface	Bright, treated
Surface standard	
Smallest sales unit	10
Unit of quantity	Piece
Weight	20.4 kg
Weight unit	kg/100 pc.

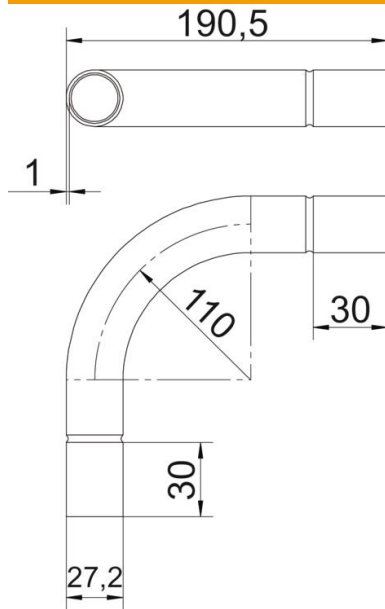
# Technical data sheet

## Stainless steel pipe bend, V4A

Item number: 2046762



### Dimensions



Dimension A	40 mm
Dimension B	190.5 mm
Dimension D	27.2 mm
Dimension d	25.2 mm
Dimension l	30 mm
Dimension m (mm)	M25
Dimension R	110 mm
Dimension t	1 mm

### Technical data

Version for	Connector
Flexible	no
For nominal pipe diameter	25 mm
Halogen-free	no
With inspection opening and lid	no
With sleeve	yes
Brushed surface	yes
Polished surface	no
Permitted temperature range, max.	400 °C
Permitted temperature range, min.	-45 °C
Angle of the bend	90 °
Two-part	no