

Technical data sheet

Rung seat

Item number: 6007496



Rung seat for fastening rungs of type MS4022 to IS 8 supports.
The set consists of two rung seats, two hexagonal bolts M8 x 16 mm and four hexagonal bolts M10 x 25 mm.

CE

St Steel

FT Hot-dip galvanised

Master data

Item number	6007496
Type	SA MS4022 FT
Description 1	Rung seat
Description 2	with hexagon head screw M10x30
Manufacturer	OBO
Material	Steel
Surface	Hot-dip galvanised
Surface standard	DIN EN ISO 1461
Smallest sales unit	5
Unit of quantity	Pair
Weight	84 kg
Weight unit	kg/100 pairs

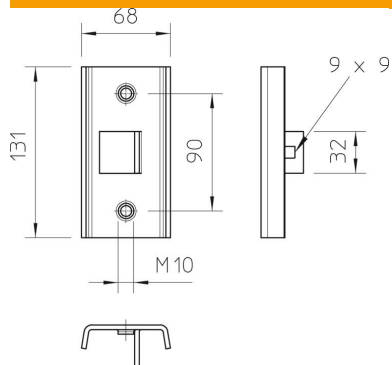
Technical data sheet

Rung seat

Item number: 6007496



Dimensions



Height	130 mm
--------	--------

Technical data

Version for	Clamping head plate
Suitable for ceiling fastening	no
Suitable for panel fastening	no
Suitable for profile shapes	I profile
Angle range, min.	0 mm