

Technical data sheet

Rung seat for steel supports FT

Item number: 6007498



Rung seat for fastening rungs of type MS4022 to steel girders.
The set consists of two rung seats, two hexagonal bolts M8 x 16 mm and four hexagonal bolts with an M10 x 30 application tip.

CE

St Steel

FT Hot-dip galvanised

Master data

Item number	6007498
Type	SAA MS4022 FT
Description 1	Rung seat
Description 2	bolt with M10 coned point
Manufacturer	OBO
Material	Steel
Surface	Hot-dip galvanised
Surface standard	DIN EN ISO 1461
Smallest sales unit	5
Unit of quantity	Pair
Weight	82.6 kg
Weight unit	kg/100 pairs

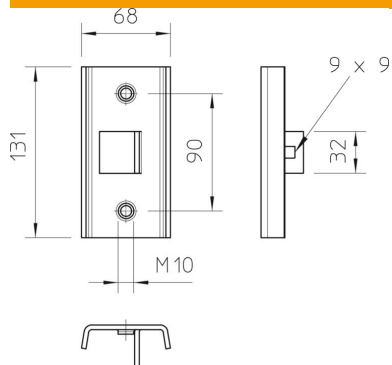
Technical data sheet

Rung seat for steel supports FT

Item number: 6007498



Dimensions



Height	130 mm
--------	--------

Technical data

Version for	Screw head plate
Suitable for ceiling fastening	no
Suitable for panel fastening	no
Suitable for profile shapes	C profile
Angle range, min.	0 mm