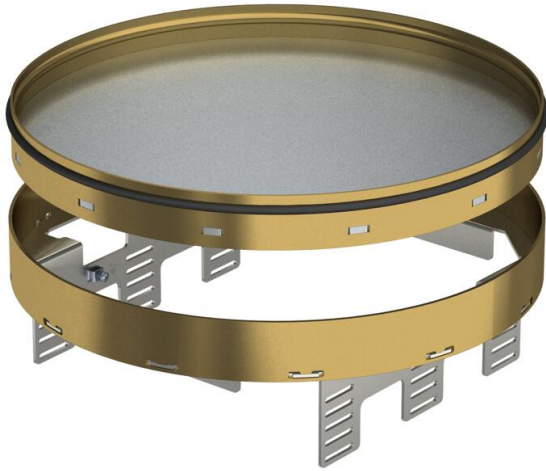


Technical data sheet

Height-adjustable cassette for inspection opening, RKR-NUZD3, brass

Item number: 7409154



Height-adjustable "blank" cassette, decoupled from the floor, for the creation of an inspection opening of nominal size R9 in dry or wet-cleaned floors for indoor use, for mounting in underfloor boxes UZD350-3, either in conjunction with a blanking lid DUG350-3R9 or in UGD250-3R9. Mounting takes place using leveling profiles (order separately) in the aluminium frame profile of the underfloor boxes. Only suitable for smooth floor coverings.

Height-adjustable cassette as a blind cassette, 3-compartment. 3 APMT5 cover plates can be installed. For the installation of 3 UT4 universal supports for 9 individual installation devices with support ring/support clamp or 12 Modul 45 devices.



CuZn
37 Brass

Master data

Item number	7409154
Type	RKRN2UZD3R9MS25
Description 1	Round cassette
Description 2	blank
Manufacturer	OBO
Dimension	Ø305mm
Material	Brass
Smallest sales unit	1
Unit of quantity	Piece
Weight	362 kg
Weight unit	kg/100 pc.

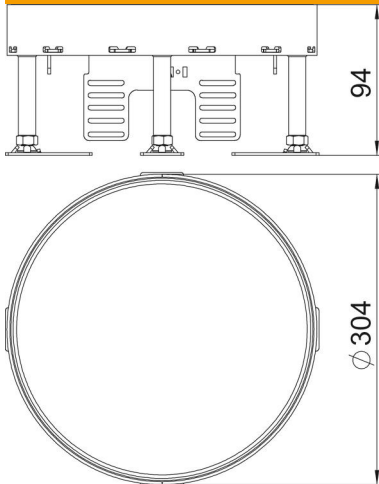
Technical data sheet

Height-adjustable cassette for inspection opening, RKR-NUZD3, brass

Item number: 7409154



Dimensions



Length	304 mm
Width	304 mm
Height	94 mm

Technical data

Number of installable devices	0
Number of cable outlets	0
Version for	Round
Floor care	Wet
Decouplable	yes
Floor height, min.	94 mm
Suitable for raised floor installation	no
Suitable for cavity floor installation	no
Suitable for underfloor box	350
Device support to accept mounting boxes	no
Nominal size for device installation units	R9
Protection rating (IP) when used	IP00
Protection rating (IP) when unused	IP44
Protection rating IK code	IK10
Heavy-duty version	no
Installation system type	UT4
Vertical load, large area	to 3,000 N
Vertical load, small area	to 2,500 N
Approvals	VDE
Floor covering thickness	25 mm