

Technical data sheet

Height-adjustable cassette for tube body, RKFRNUZD3, stainless steel

Item number: 7409448



Height-adjustable cassette, decoupled from the floor, of nominal size R7, for tube bodies, for the installation of accessories in dry or wet-cleaned floors for indoor use, for mounting in underfloor boxes UZD350-3, either in conjunction with a mounting lid DUG350-3R7 or UGD350-3R7. Mounting takes place using height adjustment brackets (order separately) in the aluminium frame profile of the underfloor boxes.

Height-adjustable cassette for cord outlet, 3-compartment. 2 APMT2 cover plates and 1 APMT5 cover plate can be installed. For the installation of 2 UT3 universal supports and one UT4 universal support for 7 individual installation devices with support ring/support clamp or 10 Modul 45 devices.



A2 Stainless steel

Master data

Item number	7409448
Type	RKFRN2UZD3R7VS25
Description 1	Round cassette
Description 2	for tube
Manufacturer	OBO
Dimension	Ø275mm
Material	Stainless steel
Smallest sales unit	1
Unit of quantity	Piece
Weight	276 kg
Weight unit	kg/100 pc.

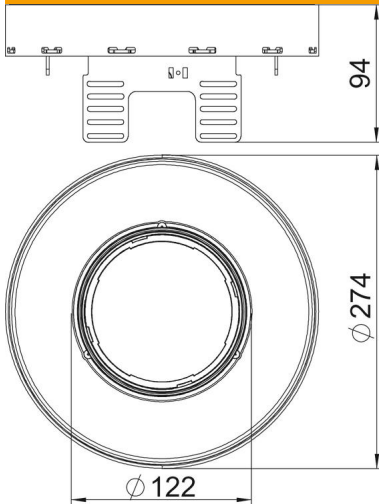
Technical data sheet

Height-adjustable cassette for tube body, RKFRNUZD3,
stainless steel

Item number: 7409448



Dimensions



Length	274 mm
Width	274 mm
Height	94 mm

Technical data

Number of installable devices	10
Number of cable outlets	1
Number of universal supports	2 x UT3, 1 x UT4
Version for	Round
Cable outlet version	Lowerable tube body
Floor cut-out / Mounting opening	Ø 275
Floor care	Wet
Application when used	6.101.3 Wet care
Application when unused	6.101.2 Wet care
Decouplable	yes
Space for F1 connector	30 mm
Space for F2 connector	90 mm
Floor height, min.	94 mm
Suitable for raised floor installation	no
Suitable for cavity floor installation	no
Suitable for underfloor box	350
Modul 45 device installation	10th
Standard device installation	7
Device support to accept mounting boxes	yes
Internal dimensions, lid	130x182
Minimum installation depth E1	105 mm
Minimum installation depth E2	155 mm
Nominal size for device installation units	R7
Standard	EN 50085-2-2
Protection rating (IP) when used	IP20
Protection rating (IP) when unused	IP40
Protection rating IK code	IK10
Heavy-duty version	no

Technical data sheet

Height-adjustable cassette for tube body, RKFRNUZD3,
stainless steel

Item number: 7409448



Technical data

Installation system type	UT3 / UT4
Vertical load, large area	to 3,000 N
Approvals	VDE
Floor covering thickness	25 mm