

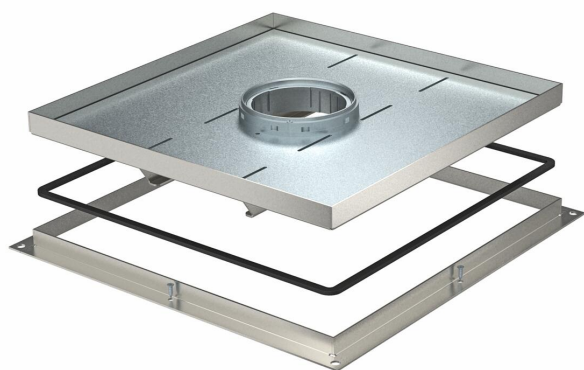
Technical data sheet

Heavy-duty frame cassette for tube body, RKFSL, nominal size 350-3

Item number: 7409550



Heavy-duty frame cassette for tube body for the installation of accessories in the UZD350-3 in dry or wet-cleaned floors for indoor use. Load class 2 to 20 kN.



A2 Stainless steel

Master data

Item number	7409550
Type	RKF2 SL2 V3 40
Description 1	Heavy-duty frame cassette
Description 2	for tube
Manufacturer	OBO
Dimension	383x383x40
Material	Stainless steel
Smallest sales unit	1
Unit of quantity	Piece
Weight	1398 kg
Weight unit	kg/100 pc.

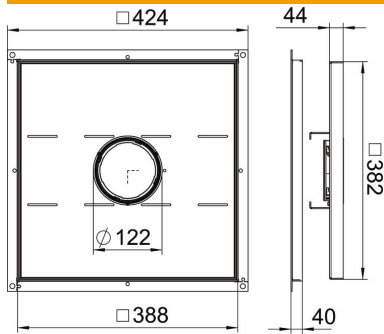
Technical data sheet

Heavy-duty frame cassette for tube body, RKFSL, nominal size 350-3

Item number: 7409550



Dimensions



Dimension A	424 mm
Dimension B	388 mm
Dimension C	382 mm
Dimension h	40 mm

Technical data

Cable outlet version	Lowerable tube body
Suitable for raised floor installation	yes
Suitable for cavity floor installation	yes
Suitable for	Underfloor socket structure
Suitable for underfloor box	350
Length of installation dimensions	390 mm
Protection rating (IP) when used	IP20
Protection rating (IP) when unused	IP44
Protection rating IK code	IK10
Heavy-duty version	yes
Heavy load class	20 kN (OBO SL2)
Floor covering thickness	34 mm