

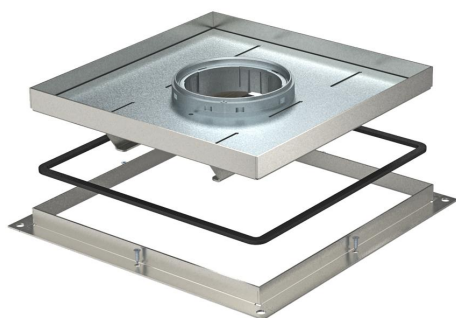
# Technical data sheet

Heavy-duty frame cassette for tube body, RKFSL, nominal size 250-3

Item number: 7409524



Heavy-duty frame cassette for tube body for the installation of accessories in the UZD250-3 in dry or wet-cleaned floors for indoor use. Load class 2 to 20 kN.



A2 Stainless steel

## Master data

|                     |                           |
|---------------------|---------------------------|
| Item number         | 7409524                   |
| Type                | RKF2 SL2 V2 25            |
| Description 1       | Heavy-duty frame cassette |
| Description 2       | for tube                  |
| Manufacturer        | OBO                       |
| Dimension           | 283x283x25                |
| Material            | Stainless steel           |
| Smallest sales unit | 1                         |
| Unit of quantity    | Piece                     |
| Weight              | 719 kg                    |
| Weight unit         | kg/100 pc.                |

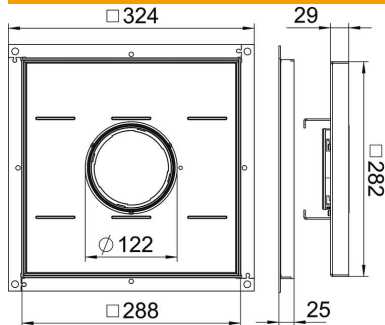
# Technical data sheet

Heavy-duty frame cassette for tube body, RKFSL, nominal size 250-3

Item number: 7409524



## Dimensions



|             |        |
|-------------|--------|
| Dimension A | 324 mm |
| Dimension B | 288 mm |
| Dimension C | 282 mm |
| Dimension h | 25 mm  |

## Technical data

|  |                             |
|--|-----------------------------|
| Cable outlet version                   | Lowerable tube body         |
| Suitable for raised floor installation | yes                         |
| Suitable for cavity floor installation | yes                         |
| Suitable for                           | Underfloor socket structure |
| Suitable for underfloor box            | 250                         |
| Length of installation dimensions      | 290 mm                      |
| Protection rating (IP) when used       | IP20                        |
| Protection rating (IP) when unused     | IP44                        |
| Protection rating IK code              | IK10                        |
| Heavy-duty version                     | yes                         |
| Heavy load class                       | 20 kN (OBO SL2)             |
| Floor covering thickness               | 19 mm                       |