

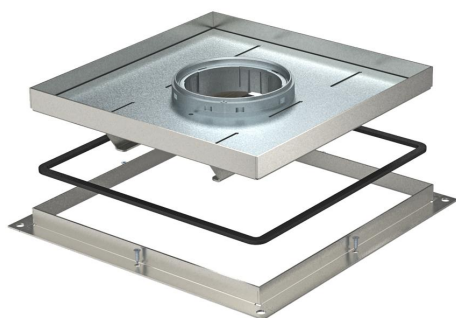
Technical data sheet

Heavy-duty frame cassette for tube body, RKFSL, nominal size 250-3

Item number: 7409486



Heavy-duty frame cassette for tube body for the installation of accessories in the UZD250-3 in dry or wet-cleaned floors for indoor use. Load class 1 to 10 kN.



A2 Stainless steel

Master data

Item number	7409486
Type	RKF2 SL1 V2 30
Description 1	Heavy-duty frame cassette
Description 2	for tube
Manufacturer	OBO
Dimension	283x283x30
Material	Stainless steel
Smallest sales unit	1
Unit of quantity	Piece
Weight	526 kg
Weight unit	kg/100 pc.

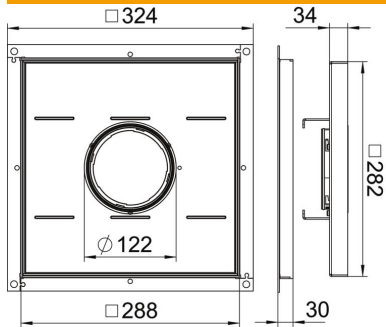
Technical data sheet

Heavy-duty frame cassette for tube body, RKFSL, nominal size 250-3

Item number: 7409486



Dimensions



Dimension A	324 mm
Dimension B	288 mm
Dimension C	282 mm
Dimension h	30 mm

Technical data

Cable outlet version	Lowerable tube body
Suitable for raised floor installation	yes
Suitable for cavity floor installation	yes
Suitable for	Underfloor socket structure
Suitable for underfloor box	250
Length of installation dimensions	290 mm
Heavy-duty version	yes
Heavy load class	10 kN (OBO SL1)
Floor covering thickness	28 mm