

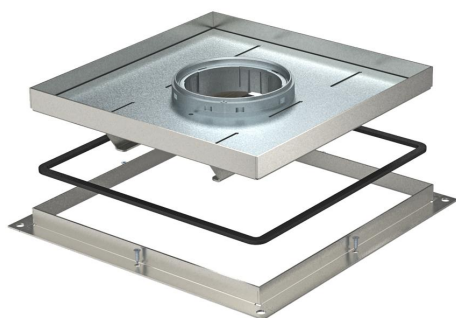
Technical data sheet

Heavy-duty frame cassette for tube body, RKFSL, nominal size 250-3

Item number: 7409482



Heavy-duty frame cassette for tube body for the installation of accessories in the UZD250-3 in dry or wet-cleaned floors for indoor use. Load class 1 to 10 kN.



A2 Stainless steel

Master data

Item number	7409482
Type	RKF2 SL1 V2 20
Description 1	Heavy-duty frame cassette
Description 2	for tube
Manufacturer	OBO
Dimension	283x283x20
Material	Stainless steel
Smallest sales unit	1
Unit of quantity	Piece
Weight	489 kg
Weight unit	kg/100 pc.

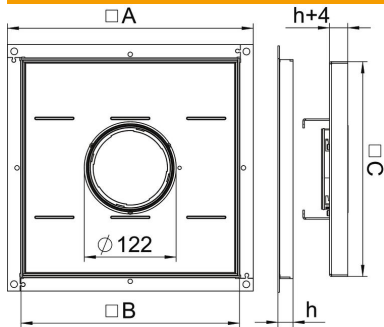
Technical data sheet

Heavy-duty frame cassette for tube body, RKFSL, nominal size 250-3

Item number: 7409482



Dimensions



Dimension A	324 mm
Dimension B	288 mm
Dimension C	282 mm
Dimension h	20 mm

Technical data

Cable outlet version	Lowerable tube body
Suitable for raised floor installation	yes
Suitable for cavity floor installation	yes
Suitable for	Underfloor socket structure
Heavy-duty version	yes
Heavy load class	10 kN (OBO SL1)
Floor covering thickness	18 mm